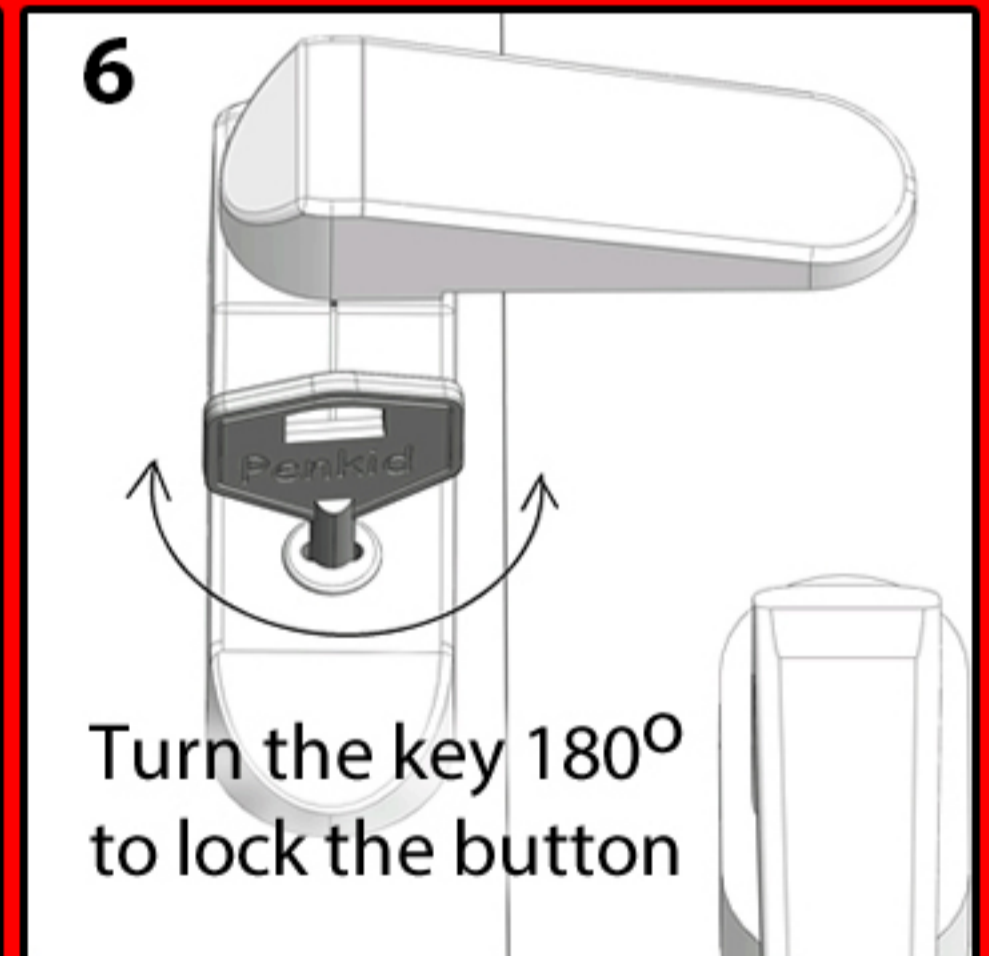
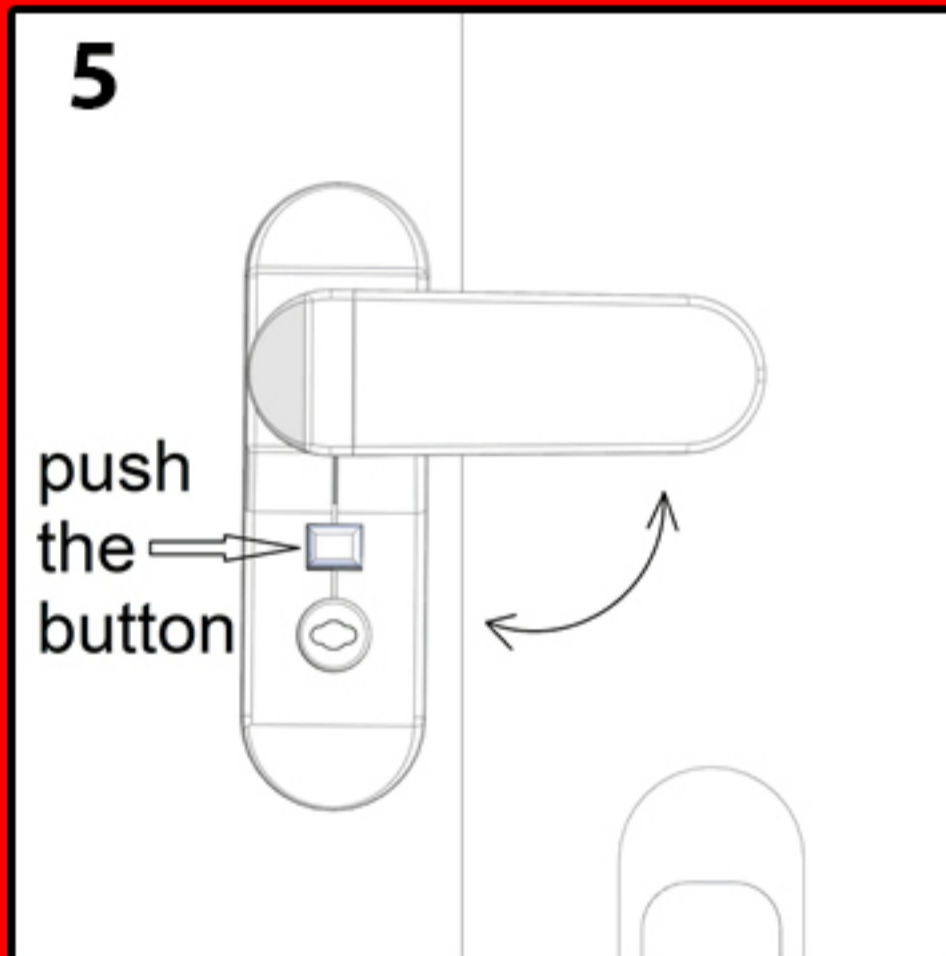
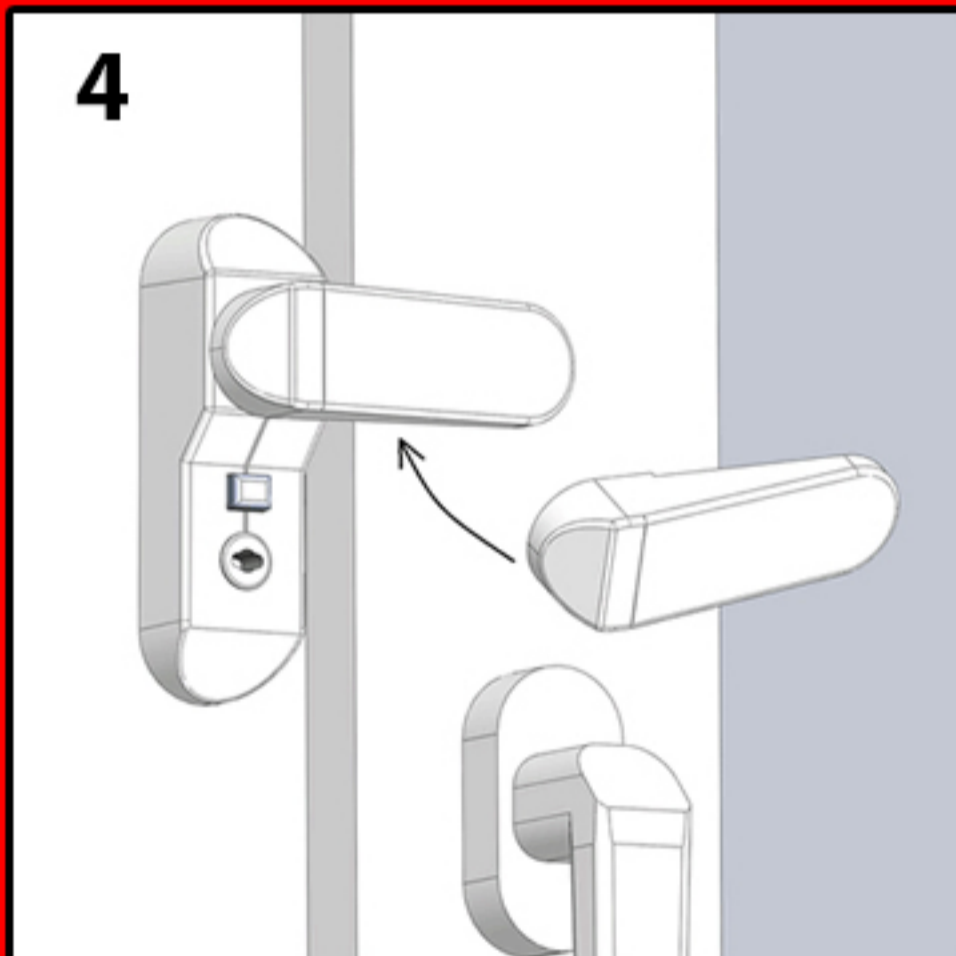
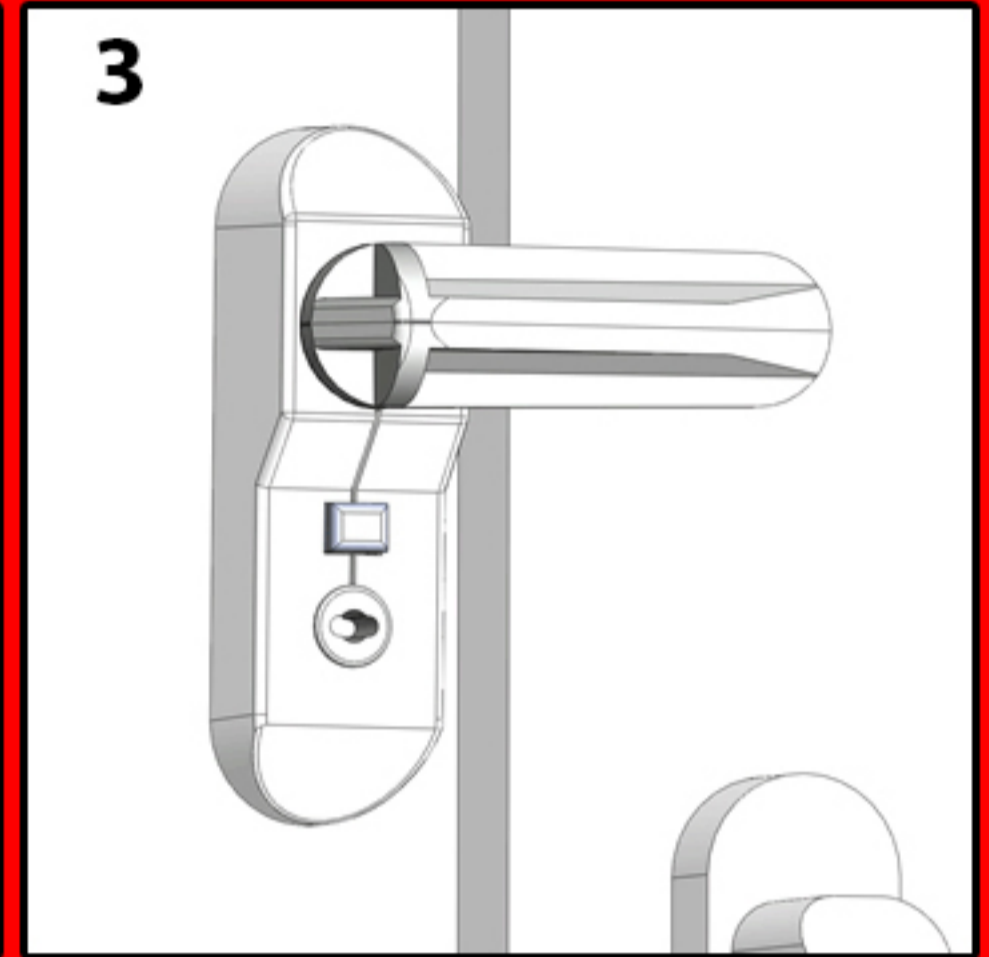
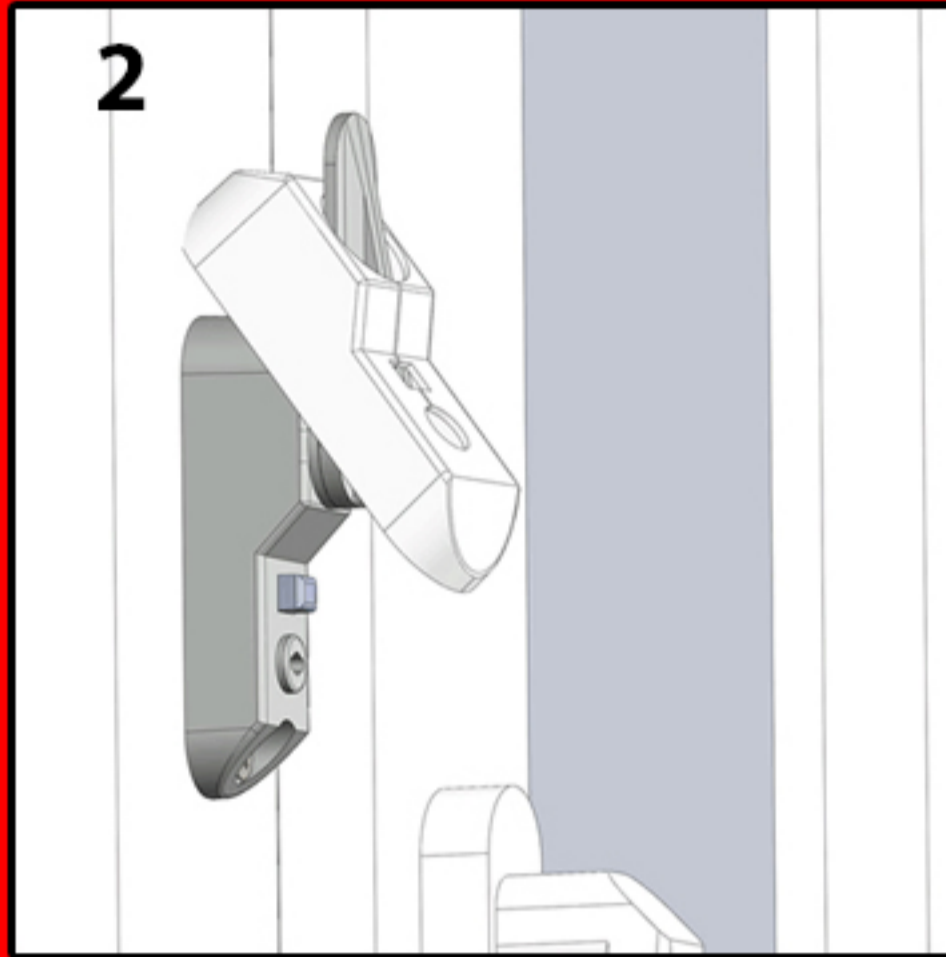
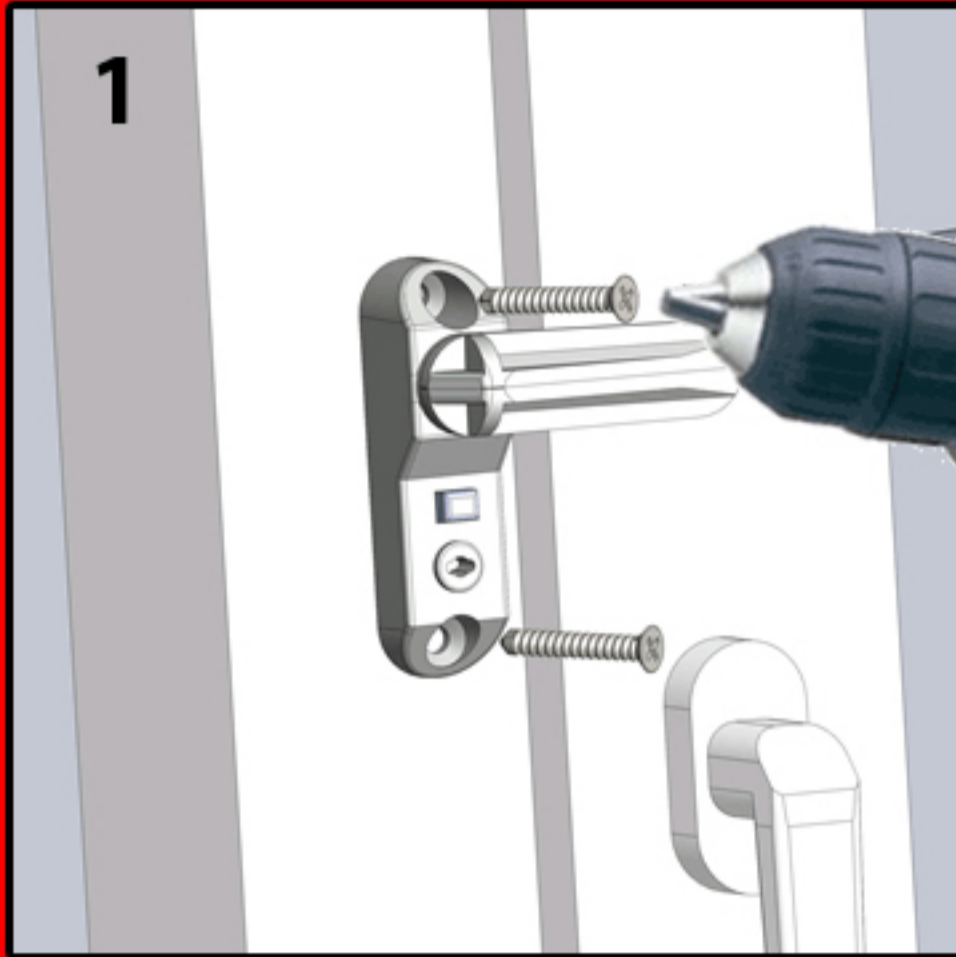




Penkid[®]



EN Apply the steps by numbers on pictures. The jammer arm is locked by button automatically with the positioning on the sash. In order to open the jammer arm, push the button. Lock with the key and remove the key for locking the button.