

noa

Design: **TEAM 3**

MANIGLIONI SENZA ROSETTE
PULLS WITHOUT ROSES

Materiale: Ottone
Material: Brass



HPS
Zirconium
gold HPS



HPS/1
Zirconium
stainless-steel HPS



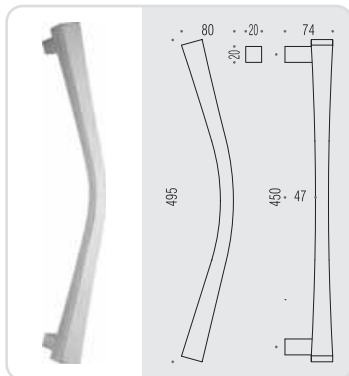
CR
Cromo
Chrome



CM
Cromat
Matt chrome

ID 26 A

HPS HPS1 CR CM



ID 26 B

HPS HPS1 CR CM

