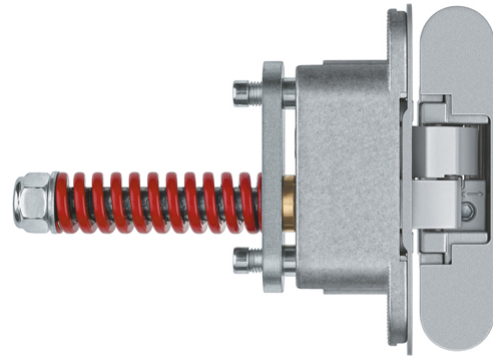


AN 107 3D C40

with integrated closing function for unrebated residential doors up to 40 kg

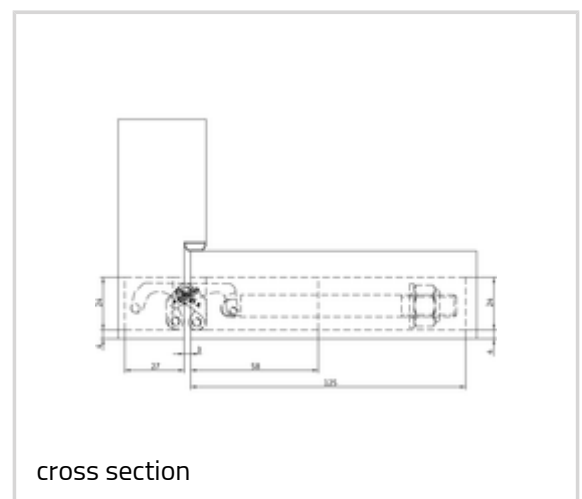
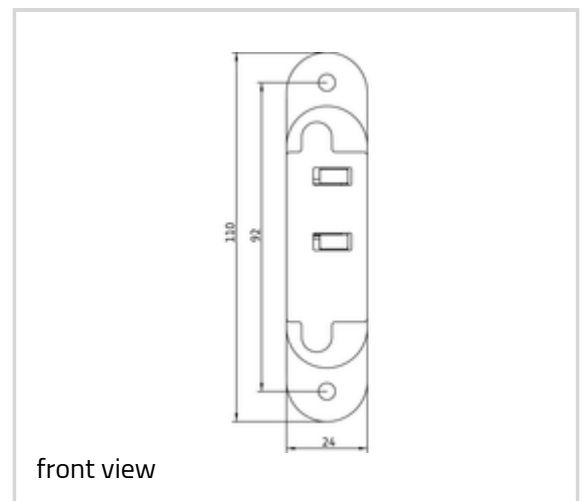


Product features

- self closing hinge system
- closing power from 20 kg up to 40 kg
- completely concealed hinge system
- for timber frames
- for unrebated residential doors
- adjustable closing power when door is installed
- material zamak / steel

Technical details

| Attributes | Value |
|----------------------|-----------------|
| Overall length | 110,0 mm |
| Width (door part) | 24,0 mm |
| Width (frame part) | 24,0 mm |
| Cutter diameter | 14,0 or 16,0 mm |
| Collar ring diameter | 25,0 or 27,0 mm |
| Opening angle | 180° |



Note

The closing power mentioned above refers to the use of one self

Anselmi - AN 107 3D C40

closing hinge per door leaf (900 x 2100 mm).

The self closing hinge has to be used only in combination with the given hinges and has to be installed at half the height of the door leaf, approximately at the same height of the lock (magnetic lock recommended).

The installation on doors subject to specific norms has to be verified by the customer according to the national law.

Combinations

AN 140 3D
AN 160 3D
AN 140 3D FZ

Item

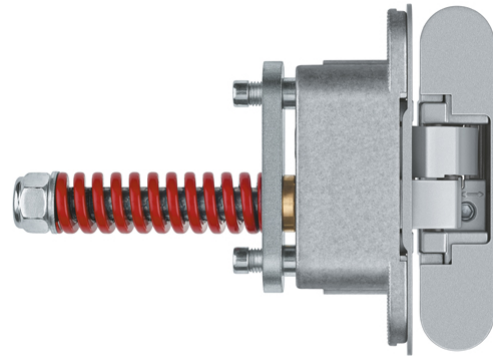
| | |
|-----------------------------|--|
| Finish(es) OF-NR. DIN | AN 014-Satin Chrome 014 DIN right and left hand |
| Finish(es) OF-NR. DIN | AN 017-Coated Bronze 017 DIN right and left hand |
| Finish(es) OF-NR. DIN | AN 018-Black 018 DIN right and left hand |
| Finish(es) OF-NR. DIN | AN 036-Aluminium Chrome 036 DIN right and left hand |
| Finish(es) OF-NR. DIN | AN 037-Polished Brass 037 DIN right and left hand |
| Finish(es) OF-NR. DIN | AN 039-Polished Chrome 039 DIN right and left hand |
| Finish(es) OF-NR. | AN 044-Satin Nickel 044 |

Anselmi - AN 107 3D C40

| | |
|------------|-------------------------------|
| DIN | DIN right and left hand |
| Finish(es) | AN 049-RAL 9016 Traffic White |
| OF-NR. | 049 |
| DIN | DIN right and left hand |
| Finish(es) | AN 035-Antique Bronze |
| OF-NR. | 035 |
| DIN | DIN right and left hand |

AN 107 3D C60

with integrated closing function for residential doors up to 60 kg



Product features

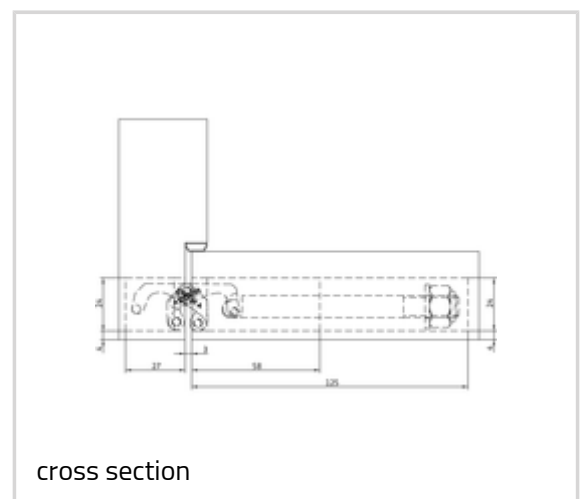
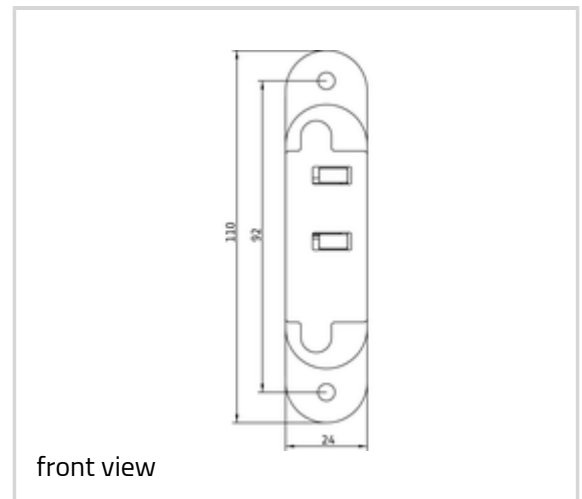
- self closing hinge system
- closing power from 40 kg up to 60 kg
- completely concealed hinge system
- for timber frames
- for unrebated residential doors
- adjustable closing power when door is installed
- material zamak / steel

Technical details

| Attributes | Value |
|----------------------|-----------------|
| Overall length | 110,0 mm |
| Width (door part) | 24,0 mm |
| Width (frame part) | 24,0 mm |
| Cutter diameter | 14,0 or 16,0 mm |
| Collar ring diameter | 25,0 or 27,0 mm |
| Opening angle | 180° |

Note

The closing power mentioned above refers to the use of one self



Anselmi - AN 107 3D C60

closing hinge per door leaf (900 x 2100 mm).

The self closing hinge has to be used only in combination with the given hinges and has to be installed at half the height of the door leaf, approximately at the same height of the lock (magnetic lock recommended).

The installation on doors subject to specific norms has to be verified by the customer according to the national law.

Combinations

AN 160 3D
AN 180 3D
AN 140 3D FZ

Item

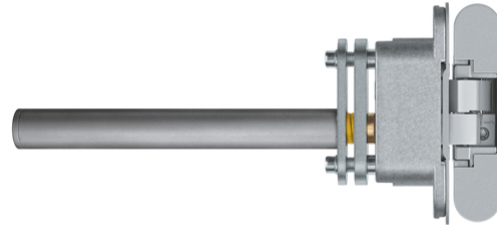
| | |
|-----------------------------|--|
| Finish(es) OF-NR. DIN | AN 014-Satin Chrome 014 DIN right and left hand |
| Finish(es) OF-NR. DIN | AN 017-Coated Bronze 017 DIN right and left hand |
| Finish(es) OF-NR. DIN | AN 018-Black 018 DIN right and left hand |
| Finish(es) OF-NR. DIN | AN 036-Aluminium Chrome 036 DIN right and left hand |
| Finish(es) OF-NR. DIN | AN 037-Polished Brass 037 DIN right and left hand |
| Finish(es) OF-NR. DIN | AN 039-Polished Chrome 039 DIN right and left hand |
| Finish(es) OF-NR. | AN 044-Satin Nickel 044 |

Anselmi - AN 107 3D C60

| | |
|------------|-------------------------------|
| DIN | DIN right and left hand |
| Finish(es) | AN 049-RAL 9016 Traffic White |
| OF-NR. | 049 |
| DIN | DIN right and left hand |
| Finish(es) | AN 035-Antique Bronze |
| OF-NR. | 035 |
| DIN | DIN right and left hand |

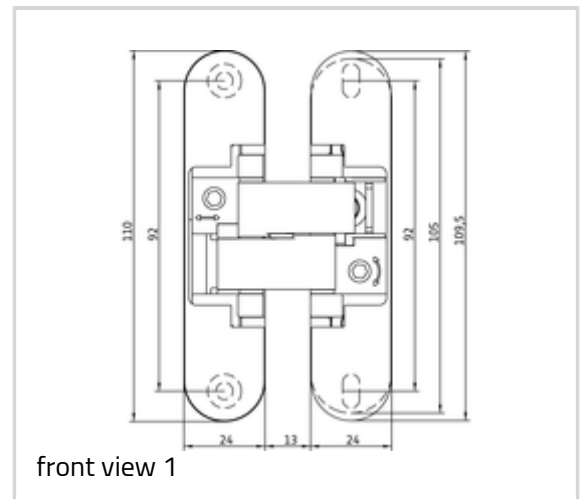
AN 108 3D SC45

with integrated closing and damping function
for residential doors up to 45 kg



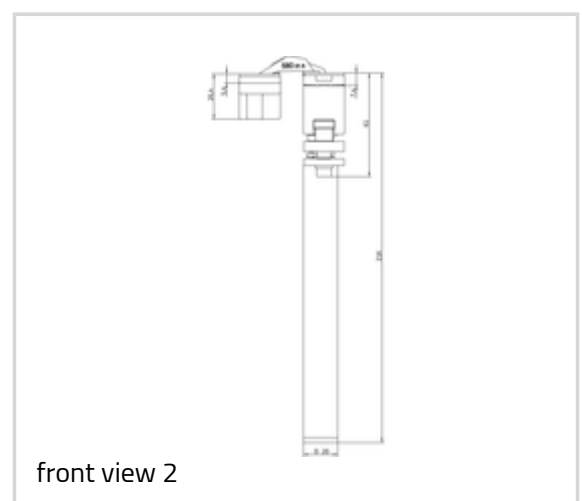
Product features

- self closing hinge system with integrated damping function
- closing power up to 45 kg
- completely concealed hinge system
- for timber frames
- for unrebated residential doors
- 3D adjustable (side +/- 1,5 mm, height +/- 2,5 mm, compression +/- 1,0 mm)
- material zamak



Technical details

| Attributes | Value |
|----------------------|-----------------|
| Overall length | 110,0 mm |
| Width (door part) | 24,0 mm |
| Width (frame part) | 24,0 mm |
| Cutter diameter | 14,0 or 16,0 mm |
| Collar ring diameter | 25,0 or 27,0 mm |
| Opening angle | 180° |



Note

Anselmi - AN 108 3D SC45

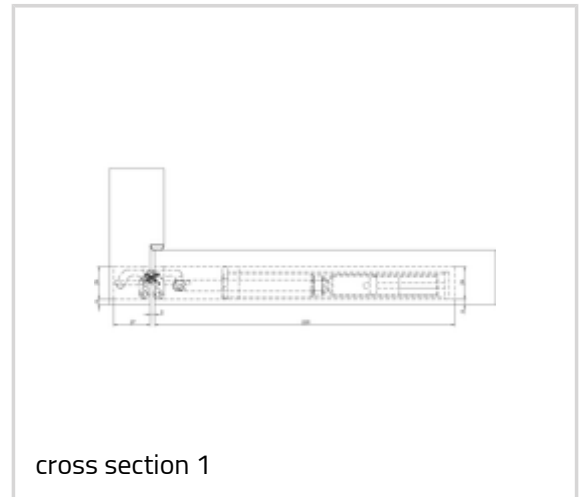
The load capacity mentioned above refers to the use of 2 hinges per door leaf (900 x 2100 mm).

Combinations

AN 140 3D FZ

Item

| | |
|-----------------------------|--|
| Finish(es) OF-NR. DIN | AN 014-Satin Chrome 014 DIN right and left hand |
| Finish(es) OF-NR. DIN | AN 017-Coated Bronze 017 DIN right and left hand |
| Finish(es) OF-NR. DIN | AN 018-Black 018 DIN right and left hand |
| Finish(es) OF-NR. DIN | AN 036-Aluminium Chrome 036 DIN right and left hand |
| Finish(es) OF-NR. DIN | AN 037-Polished Brass 037 DIN right and left hand |
| Finish(es) OF-NR. DIN | AN 039-Polished Chrome 039 DIN right and left hand |
| Finish(es) OF-NR. DIN | AN 044-Satin Nickel 044 DIN right and left hand |
| Finish(es) OF-NR. DIN | AN 049-RAL 9016 Traffic White 049 DIN right and left hand |



Anselmi - AN 108 3D SC45

| | |
|------------|-------------------------|
| Finish(es) | AN 035-Antique Bronze |
| OF-NR. | 035 |
| DIN | DIN right and left hand |