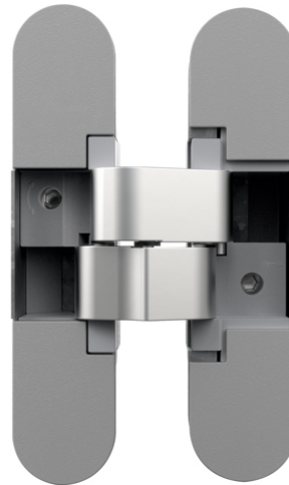


AN 141 3D FVZ 12/38

for unrebated 38 mm thick residential doors
with 12 mm recessed frame facings up to 40 kg

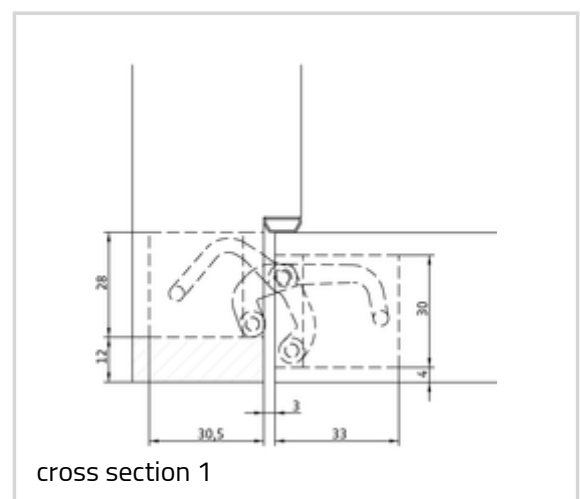
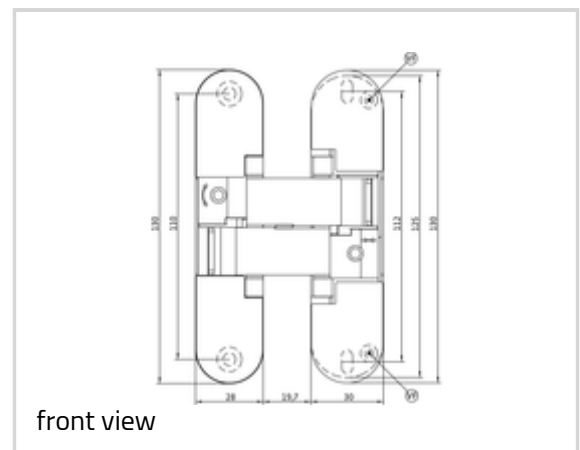


Product features

- FVZ = recessed frame facings
- recessed frame facings up to 12,0 mm
- door thickness 38 mm
- completely concealed hinge system
- for timber frames
- for unrebated residential doors
- 3D adjustable (side +/- 1,5 mm, height +/- 2,5 mm, compression +/- 1,0 mm)
- central installation
- material zamak / acetal

Technical details

Attributes	Value
Load capacity	40,0 kg
Overall length	130,0 mm
Width (door part)	30,0 mm
Width (frame part)	28,0 mm
Cutter diameter	14,0 or 16,0 mm
Collar ring diameter	25,0 or 27,0 mm
Opening angle	180°



Anselmi - AN 141 3D FVZ 12/38

Note

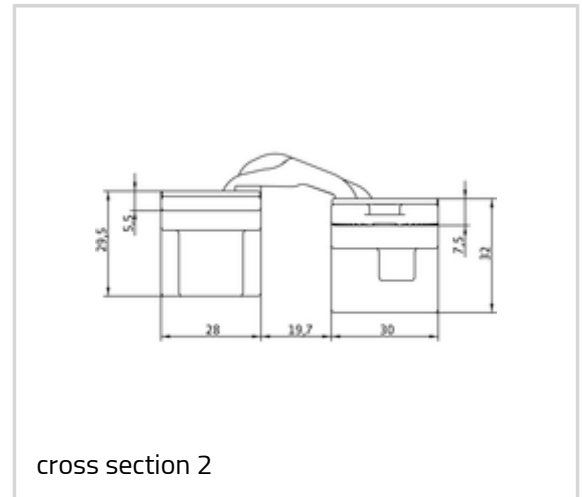
The load capacity mentioned above refers to the use of 2 hinges per door leaf (900 x 2100 mm).

Suggested screws:

Frame side: Countersunk head screw DIN 7505 A, Diameter 5,0 mm

Door side: Pan head screw DIN 7505 B, Diameter 4,0 mm

If necessary, it is possible to lock the vertical adjustment of the hinge by means of a vertical adjustment screw (VF).



Item

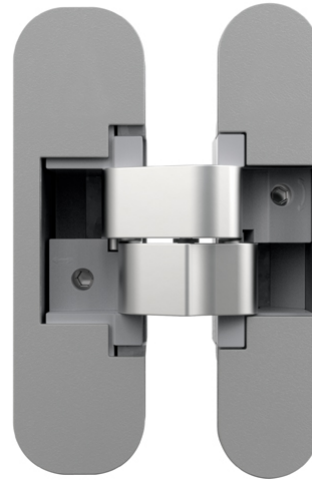
Finish(es)	AN 014-Satin Chrome
OF-NR.	014
DIN	DIN right and left hand
Finish(es)	AN 017-Coated Bronze
OF-NR.	017
DIN	DIN right and left hand
Finish(es)	AN 018-Black
OF-NR.	018
DIN	DIN right and left hand
Finish(es)	AN 037-Polished Brass
OF-NR.	037
DIN	DIN right and left hand
Finish(es)	AN 039-Polished Chrome
OF-NR.	039
DIN	DIN right and left hand
Finish(es)	AN 044-Satin Nickel
OF-NR.	044
DIN	DIN right and left hand
Finish(es)	AN 049-RAL 9016 Traffic White
OF-NR.	049
DIN	DIN right and left hand

Anselmi - AN 141 3D FVZ 12/38

Finish(es)	AN 036-Aluminium Chrome
OF-NR.	036
DIN	DIN right and left hand
Finish(es)	AN 035-Antique Bronze
OF-NR.	035
DIN	DIN right and left hand

AN 141 3D FVZ 12/45

for unrebated 45 mm thick residential doors
with 12 mm recessed frame facings up to 40 kg

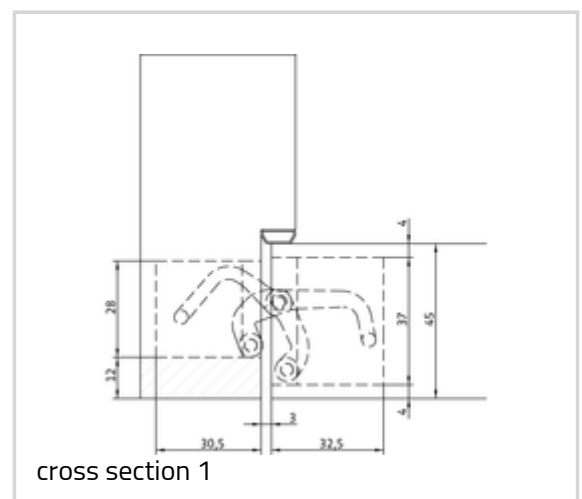
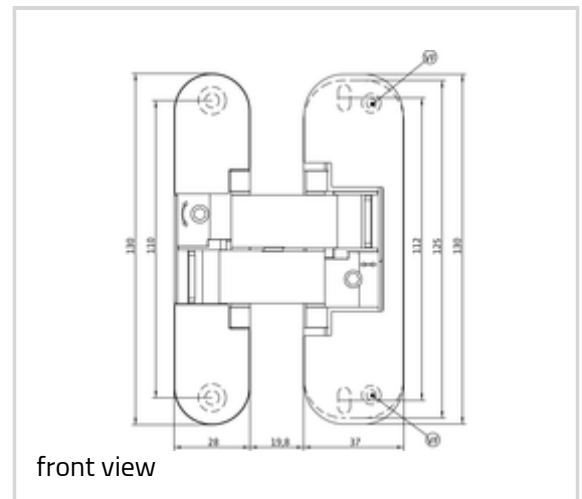


Product features

- FVZ = recessed frame facings
- recessed frame facings up to 12,0 mm
- door thickness 45 mm
- completely concealed hinge system
- for timber frames
- for unrebated residential doors
- 3D adjustable (side +/- 1,5 mm, height +/- 2,5 mm, compression +/- 1,0 mm)
- central installation
- material zamak / acetal

Technical details

Attributes	Value
Load capacity	40,0 kg
Overall length	130,0 mm
Width (door part)	37,0 mm
Width (frame part)	28,0 mm
Cutter diameter	14,0 or 16,0 mm
Collar ring diameter	25,0 or 27,0 mm
Opening angle	180°



Anselmi - AN 141 3D FVZ 12/45

Note

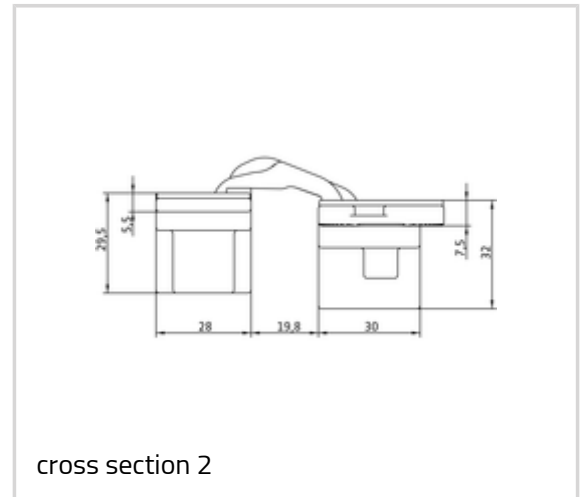
The load capacity mentioned above refers to the use of 2 hinges per door leaf (900 x 2100 mm).

Suggested screws:

Frame side: Countersunk head screw DIN 7505 A, Diameter 5,0 mm

Door side: Pan head screw DIN 7505 B, Diameter 4,0 mm

If necessary, it is possible to lock the vertical adjustment of the hinge by means of a vertical adjustment screw (VF).



Item

Finish(es) OF-NR. DIN	AN 014-Satin Chrome 014 DIN right and left hand
Finish(es) OF-NR. DIN	AN 017-Coated Bronze 017 DIN right and left hand
Finish(es) OF-NR. DIN	AN 018-Black 018 DIN right and left hand
Finish(es) OF-NR. DIN	AN 036-Aluminium Chrome 036 DIN right and left hand
Finish(es) OF-NR. DIN	AN 037-Polished Brass 037 DIN right and left hand
Finish(es) OF-NR. DIN	AN 039-Polished Chrome 039 DIN right and left hand
Finish(es) OF-NR. DIN	AN 044-Satin Nickel 044 DIN right and left hand

Anselmi - AN 141 3D FVZ 12/45

Finish(es)	AN 049-RAL 9016 Traffic White
OF-NR.	049
DIN	DIN right and left hand

Finish(es)	AN 035-Antique Bronze
OF-NR.	035
DIN	DIN right and left hand

AN 141 3D FVZ 14/40

for unrebated 40 mm thick residential doors
with 14 mm recessed frame facings up to 40 kg

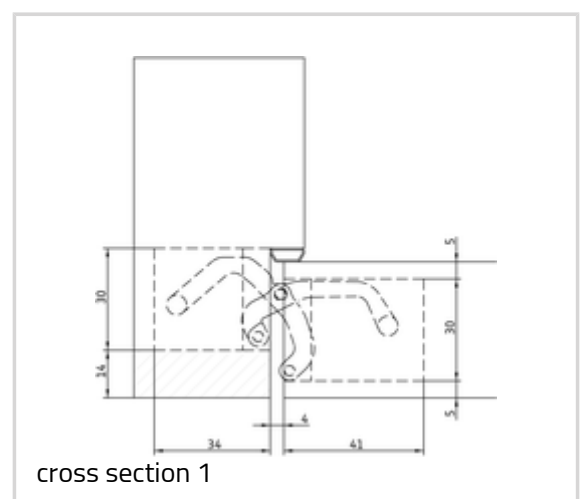
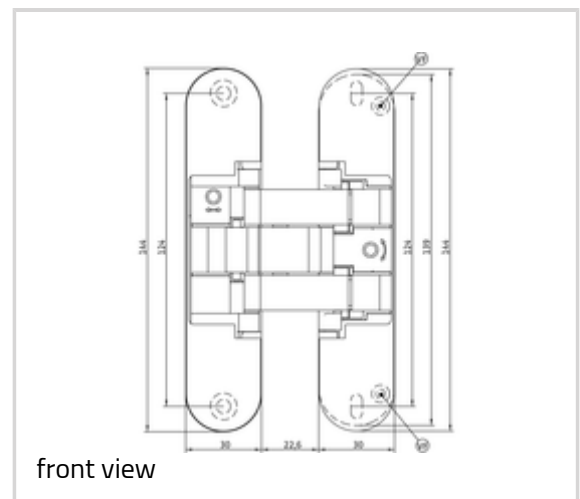


Product features

- FVZ = recessed frame facings
- recessed frame facings up to 14,0 mm
- door thickness 40 mm
- completely concealed hinge system
- for timber frames
- for unrebated residential doors
- 3D adjustable (side +/- 1,5 mm, height +/- 2,5 mm, compression +/- 1,0 mm)
- central installation
- material zamak / acetal

Technical details

Attributes	Value
Load capacity	40,0 kg
Overall length	144,0 mm
Width (door part)	30,0 mm
Width (frame part)	30,0 mm
Cutter diameter	14,0 or 16,0 mm
Collar ring diameter	25,0 or 27,0 mm
Opening angle	180°



Anselmi - AN 141 3D FVZ 14/40

Note

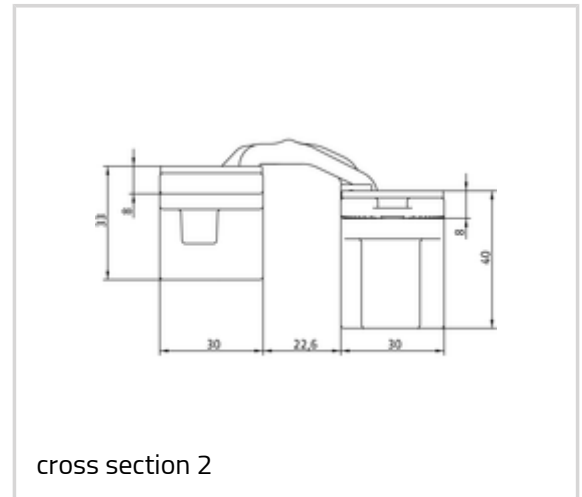
The load capacity mentioned above refers to the use of 2 hinges per door leaf (900 x 2100 mm).

Suggested screws:

Frame side: Countersunk head screw DIN 7505 A, Diameter 5,0 mm

Door side: Pan head screw DIN 7505 B, Diameter 4,0 mm

If necessary, it is possible to lock the vertical adjustment of the hinge by means of a vertical adjustment screw (VF).



Item

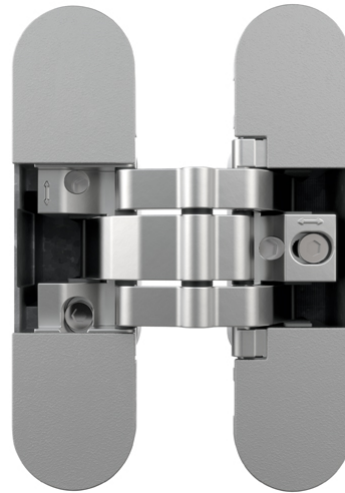
Finish(es)	AN 014-Satin Chrome
OF-NR.	014
DIN	DIN right and left hand
Finish(es)	AN 017-Coated Bronze
OF-NR.	017
DIN	DIN right and left hand
Finish(es)	AN 018-Black
OF-NR.	018
DIN	DIN right and left hand
Finish(es)	AN 036-Aluminium Chrome
OF-NR.	036
DIN	DIN right and left hand
Finish(es)	AN 037-Polished Brass
OF-NR.	037
DIN	DIN right and left hand
Finish(es)	AN 039-Polished Chrome
OF-NR.	039
DIN	DIN right and left hand
Finish(es)	AN 044-Satin Nickel
OF-NR.	044
DIN	DIN right and left hand

Anselmi - AN 141 3D FVZ 14/40

Finish(es)	AN 049-RAL 9016 Traffic White
OF-NR.	049
DIN	DIN right and left hand
Finish(es)	AN 035-Antique Bronze
OF-NR.	035
DIN	DIN right and left hand

AN 141 3D FVZ 14/44

for unrebated 44 mm thick residential doors
with 14 mm recessed frame facings up to 40 kg

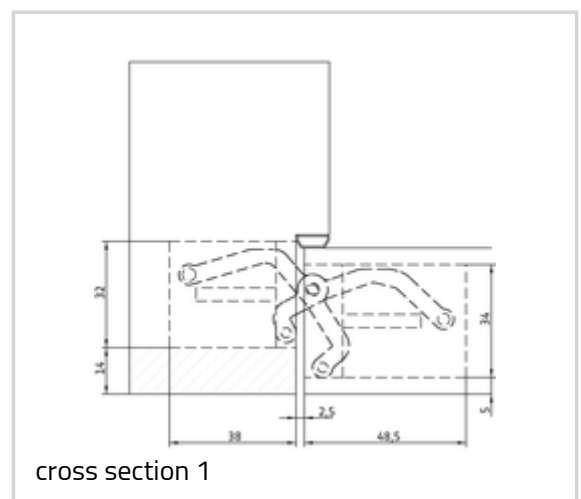
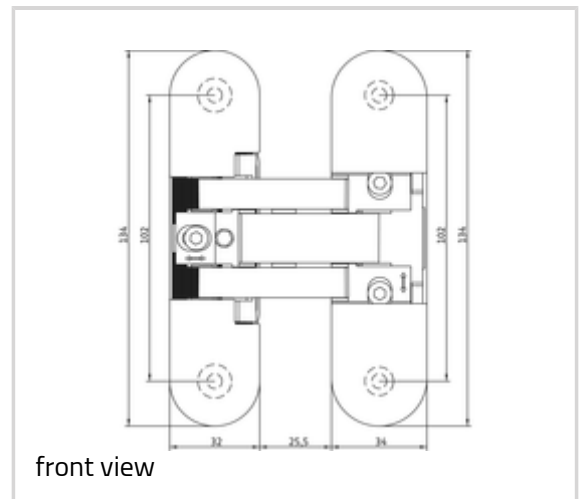


Product features

- FVZ = recessed frame facings
- recessed frame facings up to 14,0 mm
- door thickness 44 mm
- completely concealed hinge system
- for timber frames
- for unrebated residential doors
- 3D adjustable (side +/- 1,0 mm, height +/- 1,5 mm, compression +/- 1,0 mm)
- central installation
- material zamak

Technical details

Attributes	Value
Load capacity	40,0 kg
Overall length	134,0 mm
Width (door part)	34,0 mm
Width (frame part)	32,0 mm
Cutter diameter	14,0 or 16,0 mm
Collar ring diameter	25,0 or 27,0 mm
Opening angle	180°



Anselmi - AN 141 3D FVZ 14/44

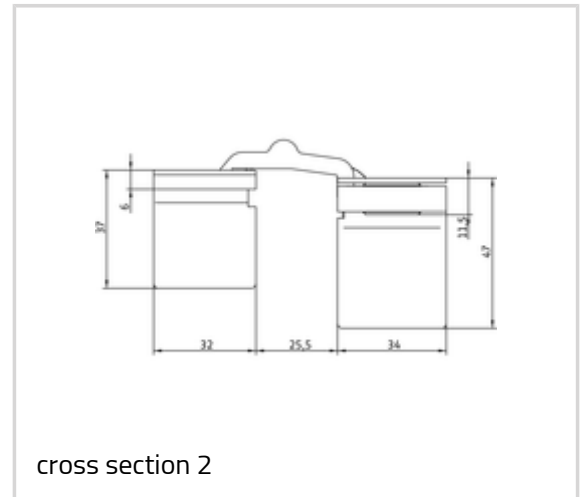
Note

The load capacity mentioned above refers to the use of 2 hinges per door leaf (900 x 2100 mm).

Suggested screws:

Frame side: Countersunk head screw DIN 7505 A, Diameter 5,0 mm

Door side: Countersunk head screw DIN 7505 A, Diameter 5,0 mm



Item

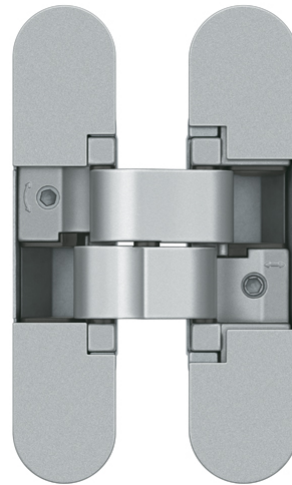
Finish(es) OF-NR. DIN	AN 014-Satin Chrome 014 DIN right and left hand
Finish(es) OF-NR. DIN	AN 017-Coated Bronze 017 DIN right and left hand
Finish(es) OF-NR. DIN	AN 018-Black 018 DIN right and left hand
Finish(es) OF-NR. DIN	AN 036-Aluminium Chrome 036 DIN right and left hand
Finish(es) OF-NR. DIN	AN 037-Polished Brass 037 DIN right and left hand
Finish(es) OF-NR. DIN	AN 039-Polished Chrome 039 DIN right and left hand
Finish(es) OF-NR. DIN	AN 044-Satin Nickel 044 DIN right and left hand
Finish(es)	AN 049-RAL 9016 Traffic

Anselmi - AN 141 3D FVZ 14/44

OF-NR.	White
DIN	049
	DIN right and left hand
Finish(es)	AN 035-Antique Bronze
OF-NR.	035
DIN	DIN right and left hand

AN 161 3D FVZ 12/38

for unrebated 38 mm thick residential doors
with 12 mm recessed frame facings up to 60 kg

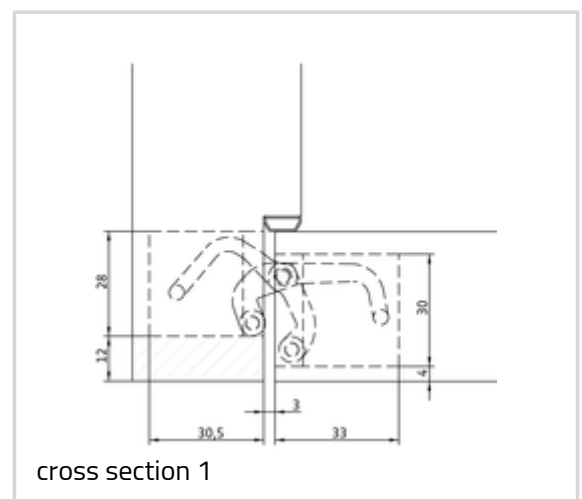
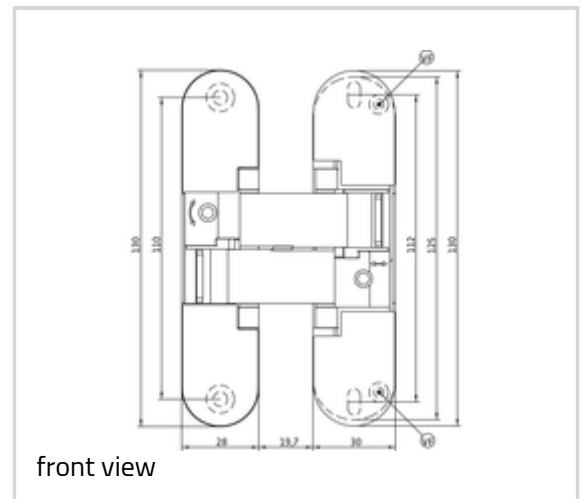


Product features

- FVZ = recessed frame facings
- recessed frame facings up to 12,0 mm
- door thickness 38 mm
- completely concealed hinge system
- for timber frames
- for unrebated residential doors
- 3D adjustable (side +/- 1,5 mm, height +/- 2,5 mm, compression +/- 1,0 mm)
- central installation
- material zamak

Technical details

Attributes	Value
Load capacity	60,0 kg
Overall length	130,0 mm
Width (door part)	30,0 mm
Width (frame part)	28,0 mm
Cutter diameter	14,0 or 16,0 mm
Collar ring diameter	25,0 or 27,0 mm
Opening angle	180°



Anselmi - AN 161 3D FVZ 12/38

Note

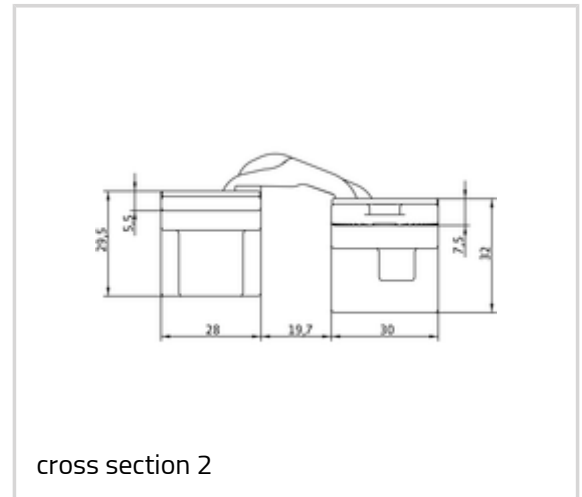
The load capacity mentioned above refers to the use of 2 hinges per door leaf (900 x 2100 mm).

Suggested screws:

Frame side: Countersunk head screw DIN 7505 A, Diameter 5,0 mm

Door side: Pan head screw DIN 7505 B, Diameter 4,0 mm

If necessary, it is possible to lock the vertical adjustment of the hinge by means of a vertical adjustment screw (VF).



Item

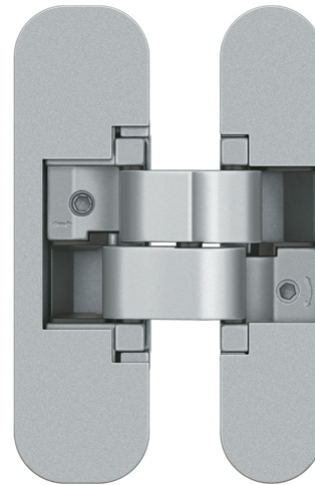
Finish(es) OF-NR. DIN	AN 014-Satin Chrome 014 DIN right and left hand
Finish(es) OF-NR. DIN	AN 017-Coated Bronze 017 DIN right and left hand
Finish(es) OF-NR. DIN	AN 018-Black 018 DIN right and left hand
Finish(es) OF-NR. DIN	AN 036-Aluminium Chrome 036 DIN right and left hand
Finish(es) OF-NR. DIN	AN 037-Polished Brass 037 DIN right and left hand
Finish(es) OF-NR. DIN	AN 039-Polished Chrome 039 DIN right and left hand
Finish(es) OF-NR. DIN	AN 044-Satin Nickel 044 DIN right and left hand

Anselmi - AN 161 3D FVZ 12/38

Finish(es)	AN 049-RAL 9016 Traffic White
OF-NR.	049
DIN	DIN right and left hand
Finish(es)	AN 035-Antique Bronze
OF-NR.	035
DIN	DIN right and left hand

AN 161 3D FVZ 12/45

for unrebated 45 mm thick residential doors
with 12 mm recessed frame facings up to 60 kg

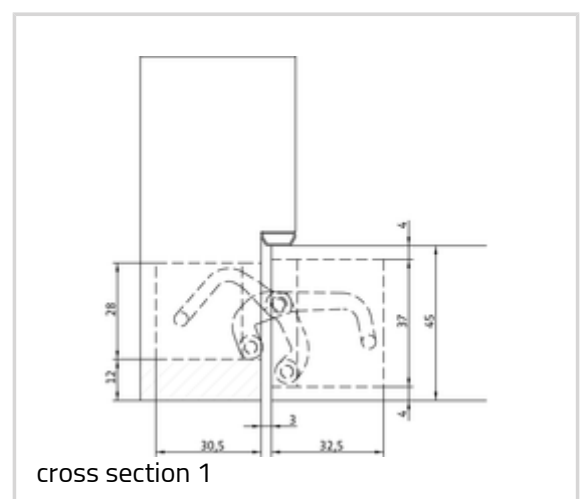
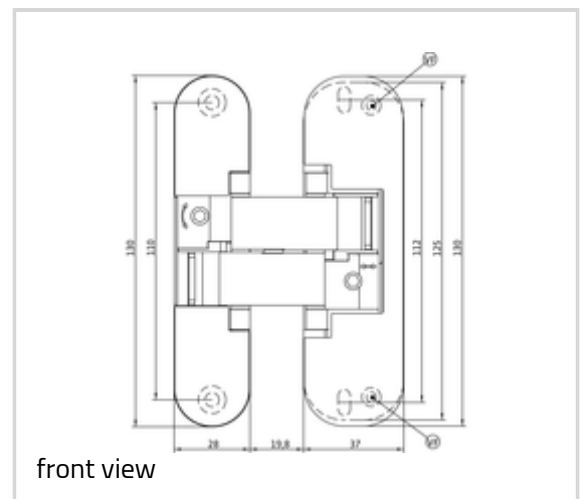


Product features

- FVZ = recessed frame facings
- recessed frame facings up to 12,0 mm
- door thickness 45 mm
- completely concealed hinge system
- for timber frames
- for unrebated residential doors
- 3D adjustable (side +/- 1,5 mm, height +/- 2,5 mm, compression +/- 1,0 mm)
- central installation
- material zamak

Technical details

Attributes	Value
Load capacity	60,0 kg
Overall length	130,0 mm
Width (door part)	37,0 mm
Width (frame part)	28,0 mm
Cutter diameter	14,0 or 16,0 mm
Collar ring diameter	25,0 or 27,0 mm
Opening angle	180°



Anselmi - AN 161 3D FVZ 12/45

Note

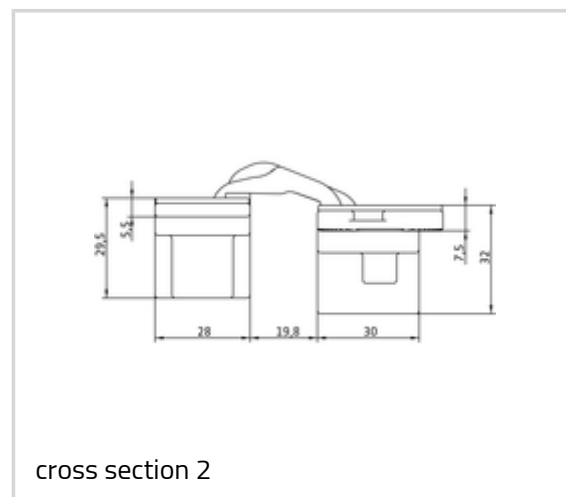
The load capacity mentioned above refers to the use of 2 hinges per door leaf (900 x 2100 mm).

Suggested screws:

Frame side: Countersunk head screw DIN 7505 A, Diameter 5,0 mm

Door side: Pan head screw DIN 7505 B, Diameter 4,0 mm

If necessary, it is possible to lock the vertical adjustment of the hinge by means of a vertical adjustment screw (VF).



Item

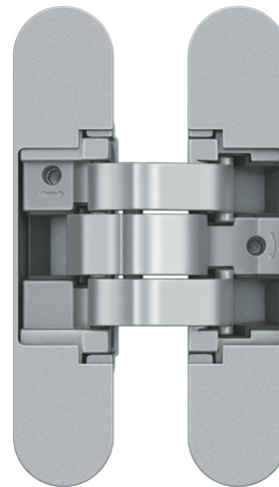
Finish(es)	AN 014-Satin Chrome
OF-NR.	014
DIN	DIN right and left hand
Finish(es)	AN 017-Coated Bronze
OF-NR.	017
DIN	DIN right and left hand
Finish(es)	AN 018-Black
OF-NR.	018
DIN	DIN right and left hand
Finish(es)	AN 036-Aluminium Chrome
OF-NR.	036
DIN	DIN right and left hand
Finish(es)	AN 037-Polished Brass
OF-NR.	037
DIN	DIN right and left hand
Finish(es)	AN 039-Polished Chrome
OF-NR.	039
DIN	DIN right and left hand
Finish(es)	AN 044-Satin Nickel
OF-NR.	044
DIN	DIN right and left hand

Anselmi - AN 161 3D FVZ 12/45

Finish(es)	AN 049-RAL 9016 Traffic White
OF-NR.	049
DIN	DIN right and left hand
Finish(es)	AN 035-Antique Bronze
OF-NR.	035
DIN	DIN right and left hand

AN 161 3D FVZ 14/40

for unrebated 40 mm thick residential doors
with 14 mm recessed frame facings up to 60 kg

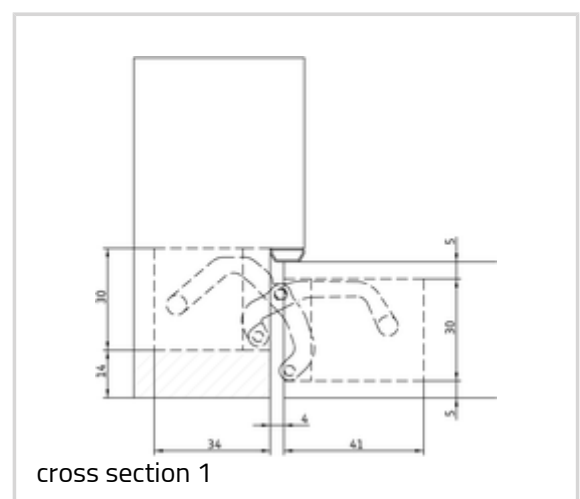
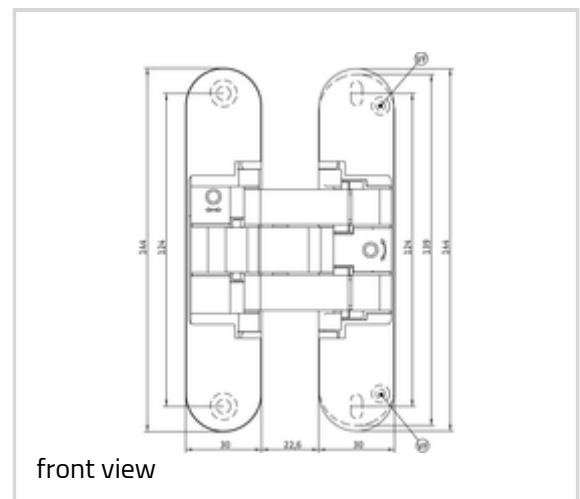


Product features

- FVZ = recessed frame facings
- recessed frame facings up to 14,0 mm
- door thickness 40 mm
- completely concealed hinge system
- for timber frames
- for unrebated residential doors
- 3D adjustable (side +/- 1,5 mm, height +/- 2,5 mm, compression +/- 1,0 mm)
- central installation
- material zamak

Technical details

Attributes	Value
Load capacity	60,0 kg
Overall length	144,0 mm
Width (door part)	30,0 mm
Width (frame part)	30,0 mm
Cutter diameter	14,0 or 16,0 mm
Collar ring diameter	25,0 or 27,0 mm
Opening angle	180°



Anselmi - AN 161 3D FVZ 14/40

Note

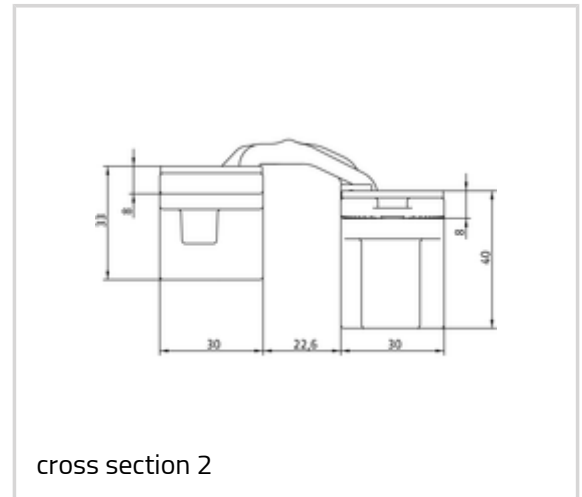
The load capacity mentioned above refers to the use of 2 hinges per door leaf (900 x 2100 mm).

Suggested screws:

Frame side: Countersunk head screw DIN 7505 A, Diameter 5,0 mm

Door side: Pan head screw DIN 7505 B, Diameter 4,0 mm

If necessary, it is possible to lock the vertical adjustment of the hinge by means of a vertical adjustment screw (VF).



Item

Finish(es)	AN 014-Satin Chrome
OF-NR.	014
DIN	DIN right and left hand
Finish(es)	AN 017-Coated Bronze
OF-NR.	017
DIN	DIN right and left hand
Finish(es)	AN 018-Black
OF-NR.	018
DIN	DIN right and left hand
Finish(es)	AN 036-Aluminium Chrome
OF-NR.	036
DIN	DIN right and left hand
Finish(es)	AN 037-Polished Brass
OF-NR.	037
DIN	DIN right and left hand
Finish(es)	AN 039-Polished Chrome
OF-NR.	039
DIN	DIN right and left hand
Finish(es)	AN 044-Satin Nickel
OF-NR.	044
DIN	DIN right and left hand

Anselmi - AN 161 3D FVZ 14/40

Finish(es)	AN 049-RAL 9016 Traffic White
OF-NR.	049
DIN	DIN right and left hand
Finish(es)	AN 035-Antique Bronze
OF-NR.	035
DIN	DIN right and left hand