

AN 130 2D

for unrebated residential doors with 21 mm reduced frame cup up to 20 kg



Product features

- reduced frame cup 21 mm
- completely concealed hinge system
- for timber frames
- for unrebated residential doors
- 2D adjustable (height +/- 1,5 mm, compression +/- 1,0 mm)
- material zamak / IXEF

Technical details

Attributes	Value
Load capacity	20,0 kg
Overall length	110,0 mm
Width (door part)	24,0 mm
Width (frame part)	24,0 mm
Cutter diameter	14,0 or 16,0 mm
Collar ring diameter	25,0 or 27,0 mm
Opening angle	180°

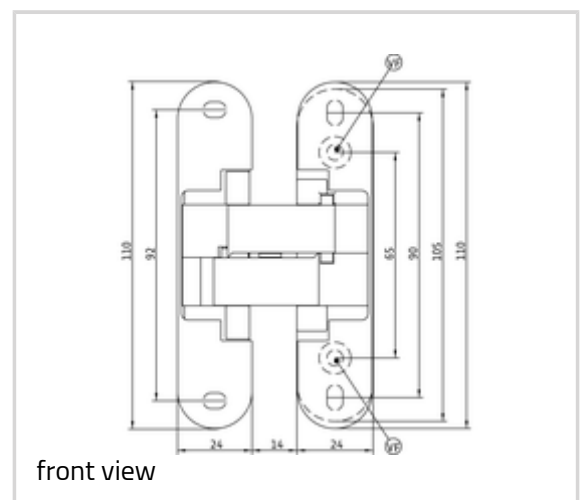
Note

The load capacity mentioned above refers to the use of 2 hinges

Quality marks



Certification UL



Anselmi - AN 130 2D

per door leaf (900 x 2100 mm).

Suggested screws:

Frame side: Countersunk head screw DIN 7505 A, Diameter 4,5 mm

Door side: Countersunk head screw DIN 7505 A, Diameter 4,5 mm

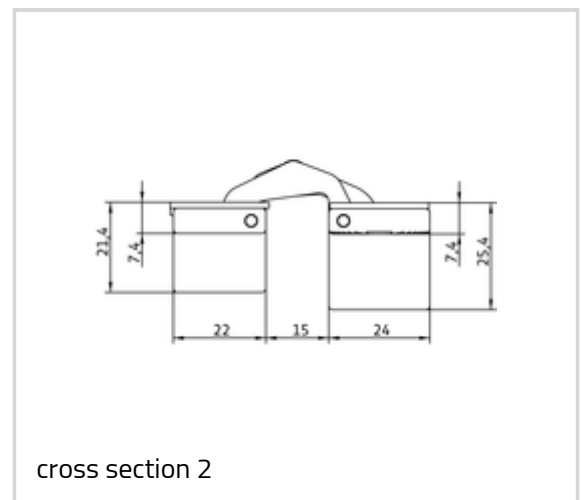
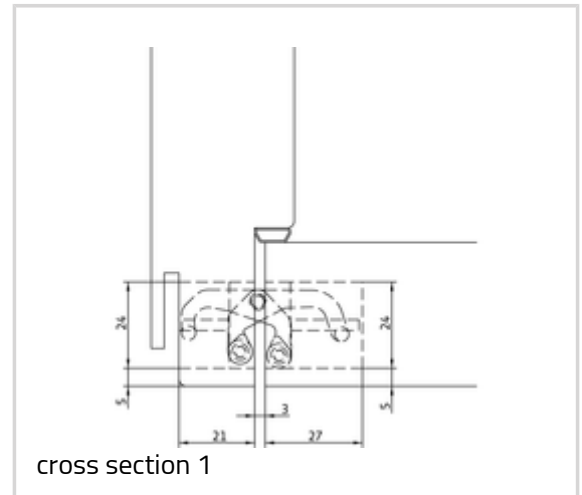
If necessary, it is possible to lock the vertical adjustment of the hinge by means of a vertical adjustment screw (VF).

Combinations

AN 140 3D FZ

Item

Finish(es) OF-NR. DIN	AN 014-Satin Chrome 014 DIN right and left hand
Finish(es) OF-NR. DIN	AN 049-RAL 9016 Traffic White 049 DIN right and left hand
Finish(es) OF-NR. DIN	AN 017-Coated Bronze 017 DIN right and left hand
Finish(es) OF-NR. DIN	AN 018-Black 018 DIN right and left hand
Finish(es) OF-NR. DIN	AN 037-Polished Brass 037 DIN right and left hand
Finish(es) OF-NR. DIN	AN 036-Aluminium Chrome 036 DIN right and left hand
Finish(es) OF-NR.	AN 039-Polished Chrome 039

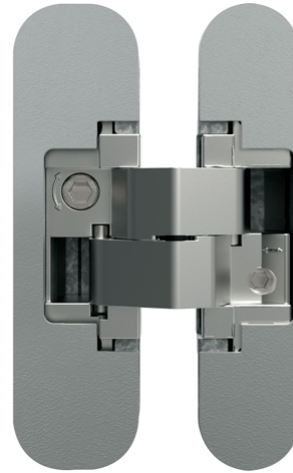


Anselmi - AN 130 2D

DIN	DIN right and left hand
Finish(es)	AN 044-Satin Nickel
OF-NR.	044
DIN	DIN right and left hand
Finish(es)	AN 035-Antique Bronze
OF-NR.	035
DIN	DIN right and left hand

AN 150 3D 40

for unrebated 40 mm residential doors with central installation and 21 mm reduced frame cup up to 40 kg

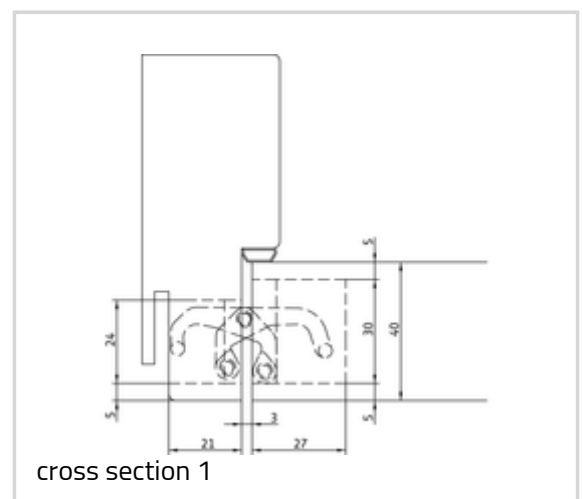
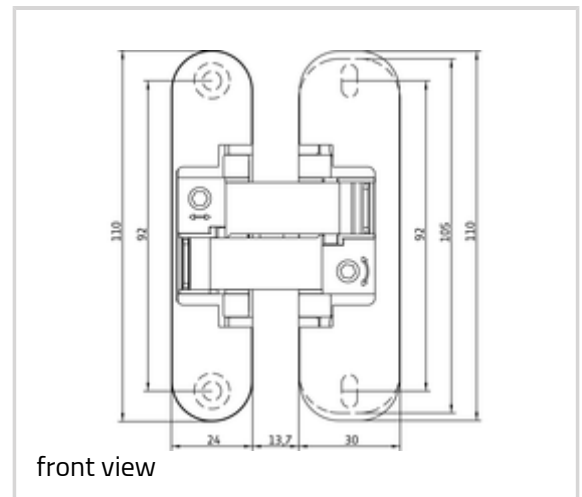


Product features

- reduced frame cup 21 mm
- door thickness 40 mm
- completely concealed hinge system
- for timber frames
- for unrebated residential doors
- 3D adjustable (side +/- 1,5 mm, height +/- 2,5 mm, compression +/- 1,0 mm)
- central installation
- material zamak / acetal

Technical details

Attributes	Value
Load capacity	40,0 kg
Overall length	110,0 mm
Width (door part)	30,0 mm
Width (frame part)	40,0 mm
Cutter diameter	14,0 or 16,0 mm
Collar ring diameter	25,0 or 27,0 mm
Opening angle	180°



Anselmi - AN 150 3D 40

Note

The load capacity mentioned above refers to the use of 2 hinges per door leaf (900 x 2100 mm).

Suggested screws:

Frame side: Countersunk head screw DIN 7505 A, Diameter 4,5 mm

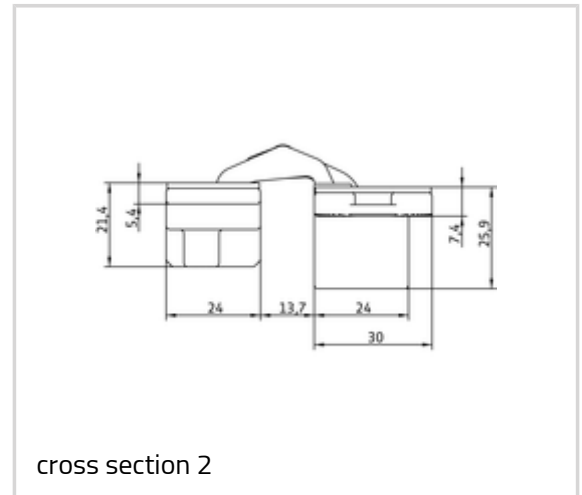
Door side: Pan head screw DIN 7505 B, Diameter 4,5 mm

Combinations

AN 140 3D FZ

Item

Finish(es)	AN 014-Satin Chrome
OF-NR.	014
DIN	DIN right and left hand
Finish(es)	AN 017-Coated Bronze
OF-NR.	017
DIN	DIN right and left hand
Finish(es)	AN 018-Black
OF-NR.	018
DIN	DIN right and left hand
Finish(es)	AN 036-Aluminium Chrome
OF-NR.	036
DIN	DIN right and left hand
Finish(es)	AN 037-Polished Brass
OF-NR.	037
DIN	DIN right and left hand
Finish(es)	AN 039-Polished Chrome
OF-NR.	039
DIN	DIN right and left hand
Finish(es)	AN 044-Satin Nickel
OF-NR.	044

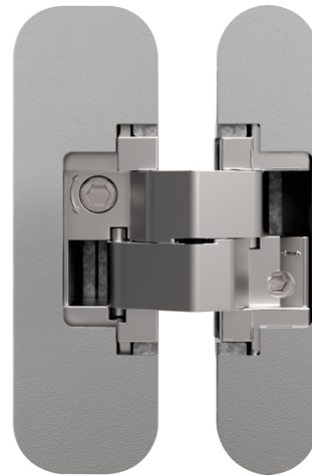


Anselmi - AN 150 3D 40

DIN	DIN right and left hand
Finish(es)	AN 049-RAL 9016 Traffic White
OF-NR.	049
DIN	DIN right and left hand
Finish(es)	AN 035-Antique Bronze
OF-NR.	035
DIN	DIN right and left hand

AN 150 3D 44

for unrebated 44 mm residential doors with central installation and 21 mm reduced frame cup up to 40 kg

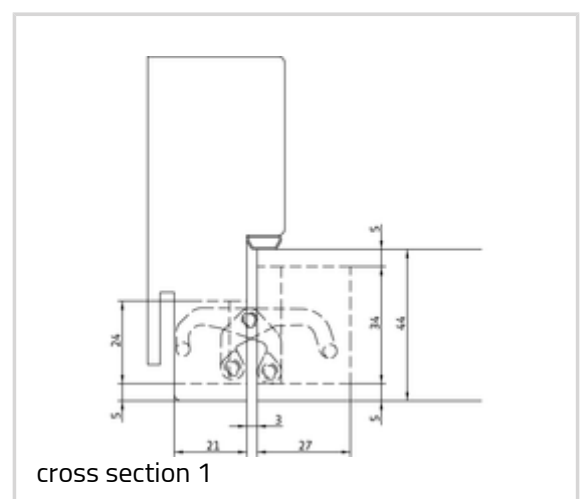
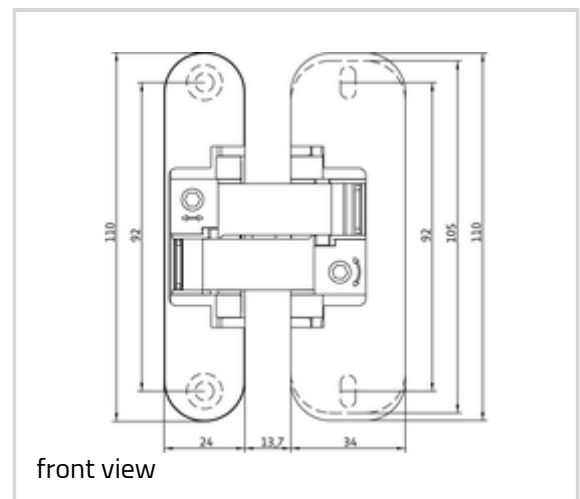


Product features

- reduced frame cup 21 mm
- door thickness 44 mm
- completely concealed hinge system
- for timber frames
- for unrebated residential doors
- 3D adjustable (side +/- 1,5 mm, height +/- 2,5 mm, compression +/- 1,0 mm)
- central installation
- material zamak / acetal

Technical details

Attributes	Value
Load capacity	40,0 kg
Overall length	110,0 mm
Width (door part)	34,0 mm
Width (frame part)	24,0 mm
Cutter diameter	14,0 or 16,0 mm
Collar ring diameter	25,0 or 27,0 mm
Opening angle	180°



Anselmi - AN 150 3D 44

Note

The load capacity mentioned above refers to the use of 2 hinges per door leaf (900 x 2100 mm).

Suggested screws:

Frame side: Countersunk head screw DIN 7505 A, Diameter 4,5 mm

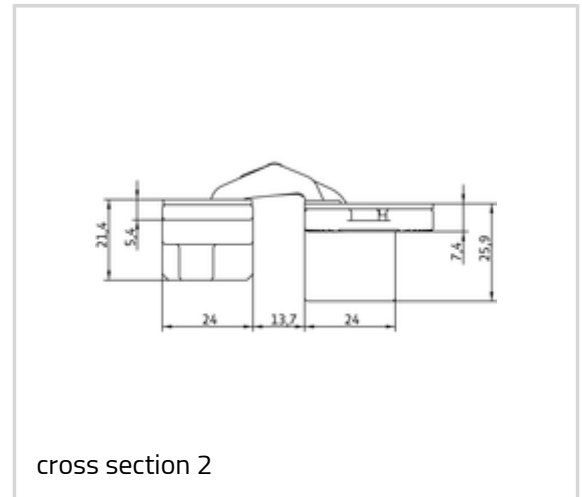
Door side: Pan head screw DIN 7505 B, Diameter 4,5 mm

Combinations

AN 140 3D FZ

Item

Finish(es) OF-NR. DIN	AN 014-Satin Chrome 014 DIN right and left hand
Finish(es) OF-NR. DIN	AN 017-Coated Bronze 017 DIN right and left hand
Finish(es) OF-NR. DIN	AN 018-Black 018 DIN right and left hand
Finish(es) OF-NR. DIN	AN 036-Aluminium Chrome 036 DIN right and left hand
Finish(es) OF-NR. DIN	AN 037-Polished Brass 037 DIN right and left hand
Finish(es) OF-NR. DIN	AN 039-Polished Chrome 039 DIN right and left hand
Finish(es) OF-NR.	AN 044-Satin Nickel 044

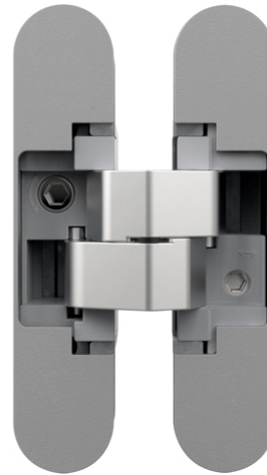


Anselmi - AN 150 3D 44

DIN	DIN right and left hand
Finish(es)	AN 049-RAL 9016 Traffic White
OF-NR.	049
DIN	DIN right and left hand
Finish(es)	AN 035-Antique Bronze
OF-NR.	035
DIN	DIN right and left hand

AN 150 3D ALU

for unrebated residential doors with aluminium frames and 21 mm reduced frame cup up to 40 kg



Product features

- reduced frame cup 21 mm
- completely concealed hinge system
- for timber frames
- for unrebated residential doors with aluminium frames
- 3D adjustable (side +/- 1,5 mm, height +/- 1,5 mm, compression +/- 1,0 mm)
- material zamak / acetal

Technical details

Attributes	Value
Load capacity	40,0 kg
Overall length	110,0 mm
Width (door part)	24,0 mm
Width (frame part)	24,0 mm
Cutter diameter	14,0 or 16,0 mm
Collar ring diameter	25,0 or 27,0 mm
Opening angle	180°

Note

Quality marks

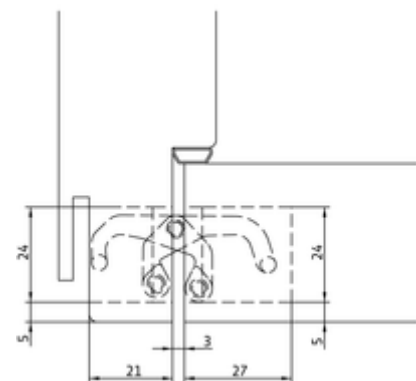


Certification UL

front view



cross section 1



cross section 2



Anselmi - AN 150 3D ALU

The load capacity mentioned above refers to the use of 2 hinges per door leaf (900 x 2100 mm).

Suggested screws:

Frame side: Countersunk head screw DIN 7505 A, Diameter 4,5 mm

Door side: Countersunk head screw DIN 7505 A, Diameter 4,5 mm

Combinations

AN 140 3D FZ

Item

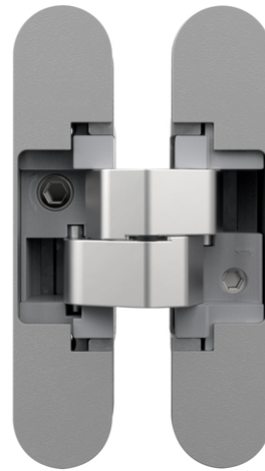
Finish(es) OF-NR. DIN	AN 014-Satin Chrome 014 DIN right and left hand
Finish(es) OF-NR. DIN	AN 017-Coated Bronze 017 DIN right and left hand
Finish(es) OF-NR. DIN	AN 018-Black 018 DIN right and left hand
Finish(es) OF-NR. DIN	AN 036-Aluminium Chrome 036 DIN right and left hand
Finish(es) OF-NR. DIN	AN 037-Polished Brass 037 DIN right and left hand
Finish(es) OF-NR. DIN	AN 039-Polished Chrome 039 DIN right and left hand
Finish(es) OF-NR. DIN	AN 044-Satin Nickel 044 DIN right and left hand

Anselmi - AN 150 3D ALU

Finish(es)	AN 049-RAL 9016 Traffic White
OF-NR.	049
DIN	DIN right and left hand
Finish(es)	AN 035-Antique Bronze
OF-NR.	035
DIN	DIN right and left hand

AN 150 3D

for unrebated residential doors with 21 mm reduced frame cup up to 40 kg



Product features

- reduced frame cup 21 mm
- completely concealed hinge system
- for timber frames
- for unrebated residential doors
- 3D adjustable (side +/- 1,5 mm, height +/- 2,5 mm, compression +/- 1,0 mm)
- material zamak / acetal

Technical details

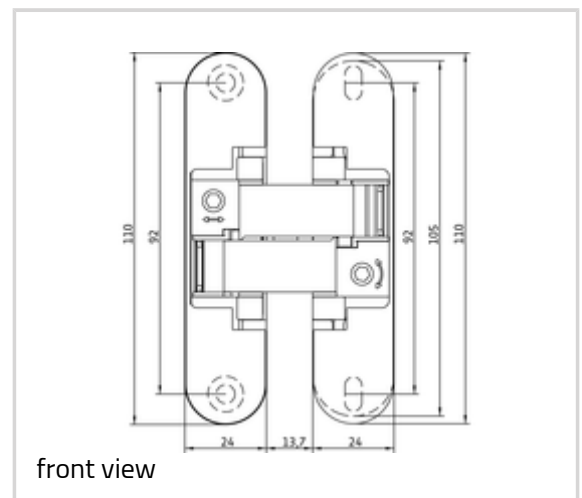
Attributes	Value
Load capacity	40,0 kg
Overall length	110,0 mm
Width (door part)	24,0 mm
Width (frame part)	24,0 mm
Cutter diameter	14,0 or 16,0 mm
Collar ring diameter	25,0 or 27,0 mm
Opening angle	180°

Note

Quality marks



Certification UL



Anselmi - AN 150 3D

The load capacity mentioned above refers to the use of 2 hinges per door leaf (900 x 2100 mm).

Suggested screws:

Frame side: Countersunk head screw DIN 7505 A, Diameter 4,5 mm

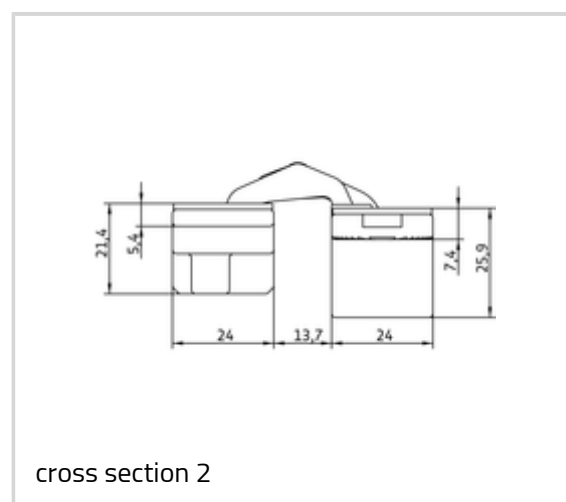
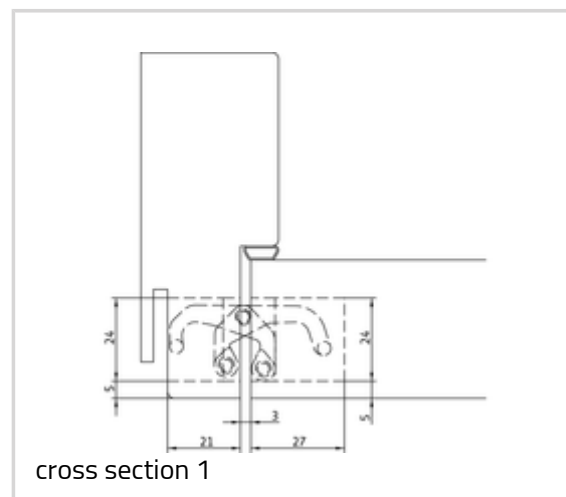
Door side: Pan head screw DIN 7505 B, Diameter 4,5 mm

Combinations

AN 140 3D FZ

Item

Finish(es) OF-NR. DIN	AN 014-Satin Chrome 014 DIN right and left hand
Finish(es) OF-NR. DIN	AN 017-Coated Bronze 017 DIN right and left hand
Finish(es) OF-NR. DIN	AN 018-Black 018 DIN right and left hand
Finish(es) OF-NR. DIN	AN 036-Aluminium Chrome 036 DIN right and left hand
Finish(es) OF-NR. DIN	AN 037-Polished Brass 037 DIN right and left hand
Finish(es) OF-NR. DIN	AN 039-Polished Chrome 039 DIN right and left hand
Finish(es) OF-NR. DIN	AN 044-Satin Nickel 044 DIN right and left hand
Finish(es)	AN 049-RAL 9016 Traffic

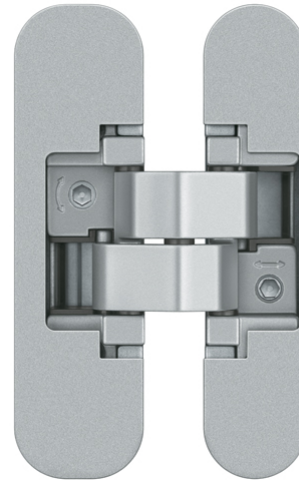


Anselmi - AN 150 3D

OF-NR.	White
DIN	049
	DIN right and left hand
Finish(es)	AN 035-Antique Bronze
OF-NR.	035
DIN	DIN right and left hand

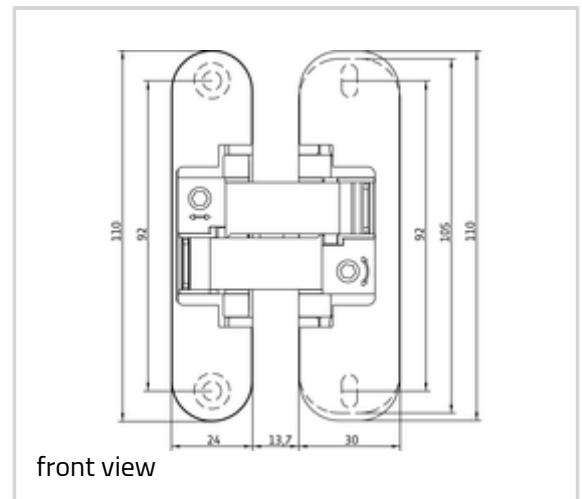
AN 170 3D 40

for unrebated 40 mm residential doors with central installation and 21 mm reduced frame cup up to 60 kg



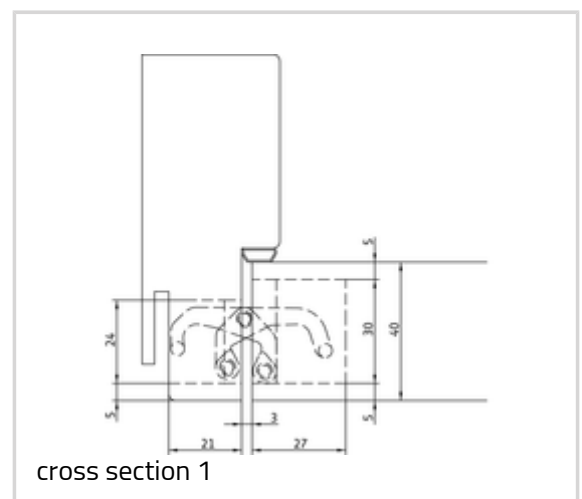
Product features

- reduced frame cup 21 mm
- door thickness 40 mm
- for timber frames
- completely concealed hinge system
- for unrebated residential doors
- 3D adjustable (side +/- 1,5 mm, height +/- 2,5 mm, compression +/- 1,0 mm)
- central installation
- material zamak



Technical details

Attributes	Value
Load capacity	60,0 kg
Overall length	110,0 mm
Width (door part)	30,0 mm
Width (frame part)	24,0 mm
Cutter diameter	14,0 or 16,0 mm
Collar ring diameter	25,0 or 27,0 mm
Opening angle	180°



Anselmi - AN 170 3D 40

Note

The load capacity mentioned above refers to the use of 2 hinges per door leaf (900 x 2100 mm).

Suggested screws:

Frame side: Countersunk head screw DIN 7505 A, Diameter 4,5 mm

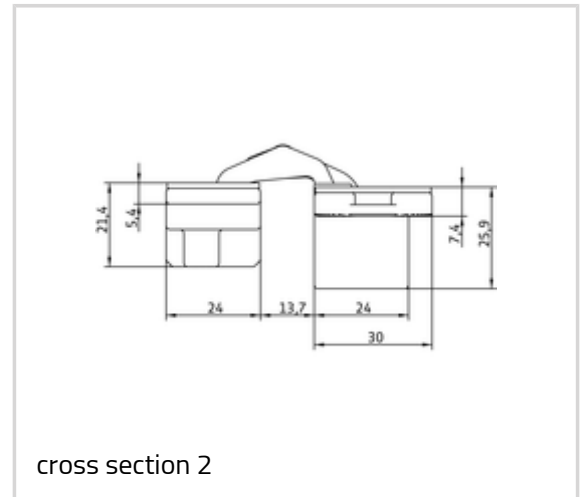
Door side: Pan head screw DIN 7505 B, Diameter 4,5 mm

Combinations

AN 140 3D FZ

Item

Finish(es) OF-NR. DIN	AN 014-Satin Chrome 014 DIN right and left hand
Finish(es) OF-NR. DIN	AN 017-Coated Bronze 017 DIN right and left hand
Finish(es) OF-NR. DIN	AN 018-Black 018 DIN right and left hand
Finish(es) OF-NR. DIN	AN 036-Aluminium Chrome 036 DIN right and left hand
Finish(es) OF-NR. DIN	AN 037-Polished Brass 037 DIN right and left hand
Finish(es) OF-NR. DIN	AN 039-Polished Chrome 039 DIN right and left hand
Finish(es) OF-NR.	AN 044-Satin Nickel 044

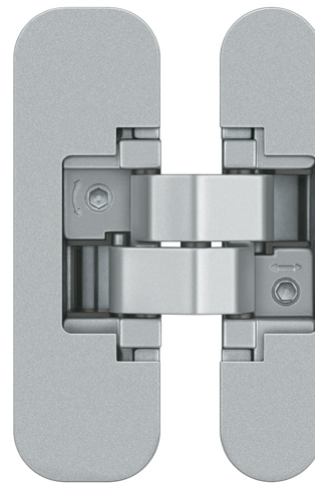


Anselmi - AN 170 3D 40

DIN	DIN right and left hand
Finish(es)	AN 049-RAL 9016 Traffic White
OF-NR.	049
DIN	DIN right and left hand
Finish(es)	AN 035-Antique Bronze
OF-NR.	035
DIN	DIN right and left hand

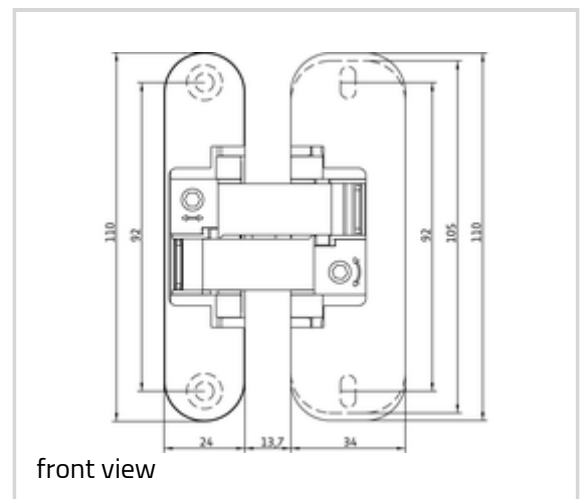
AN 170 3D 44

for unrebated 44 mm residential doors with central installation and 21 mm reduced frame cup up to 60 kg



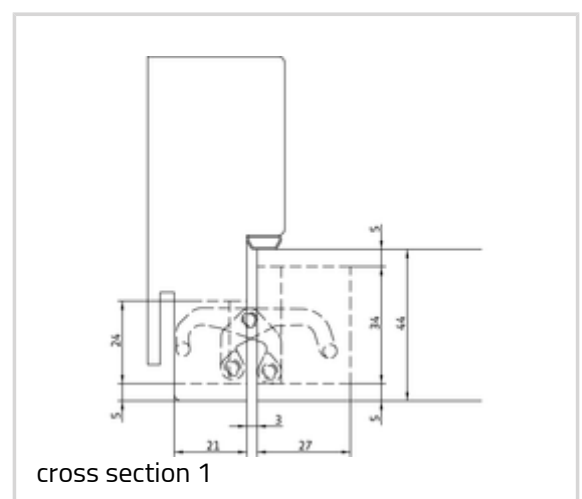
Product features

- reduced frame cup 21 mm
- door thickness 44 mm
- completely concealed hinge system
- for timber frames
- for unrebated residential doors
- 3D adjustable (side +/- 1,5 mm, height +/- 2,5 mm, compression +/- 1,0 mm)
- central installation
- material zamak



Technical details

Attributes	Value
Load capacity	60,0 kg
Overall length	110,0 mm
Width (door part)	34,0 mm
Width (frame part)	24,0 mm
Cutter diameter	14,0 or 16,0 mm
Collar ring diameter	25,0 or 27,0 mm
Opening angle	180°



Anselmi - AN 170 3D 44

Note

The load capacity mentioned above refers to the use of 2 hinges per door leaf (900 x 2100 mm).

Suggested screws:

Frame side: Countersunk head screw DIN 7505 A, Diameter 4,5 mm

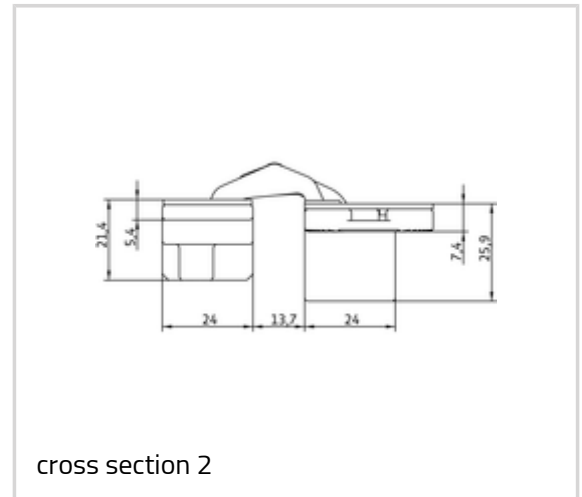
Door side: Pan head screw DIN 7505 B, Diameter 4,5 mm

Combinations

AN 140 3D FZ

Item

Finish(es) OF-NR. DIN	AN 014-Satin Chrome 014 DIN right and left hand
Finish(es) OF-NR. DIN	AN 017-Coated Bronze 017 DIN right and left hand
Finish(es) OF-NR. DIN	AN 018-Black 018 DIN right and left hand
Finish(es) OF-NR. DIN	AN 036-Aluminium Chrome 036 DIN right and left hand
Finish(es) OF-NR. DIN	AN 037-Polished Brass 037 DIN right and left hand
Finish(es) OF-NR. DIN	AN 039-Polished Chrome 039 DIN right and left hand
Finish(es) OF-NR.	AN 044-Satin Nickel 044

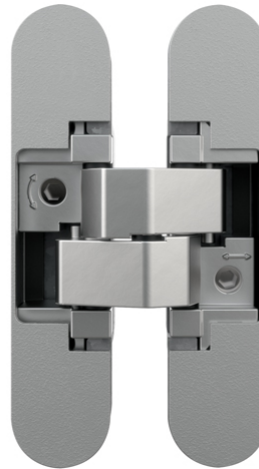


Anselmi - AN 170 3D 44

DIN	DIN right and left hand
Finish(es)	AN 049-RAL 9016 Traffic White
OF-NR.	049
DIN	DIN right and left hand
Finish(es)	AN 035-Antique Bronze
OF-NR.	035
DIN	DIN right and left hand

AN 170 3D ALU

for unrebated residential doors with aluminium frames and 21 mm reduced frame cup up to 60 kg

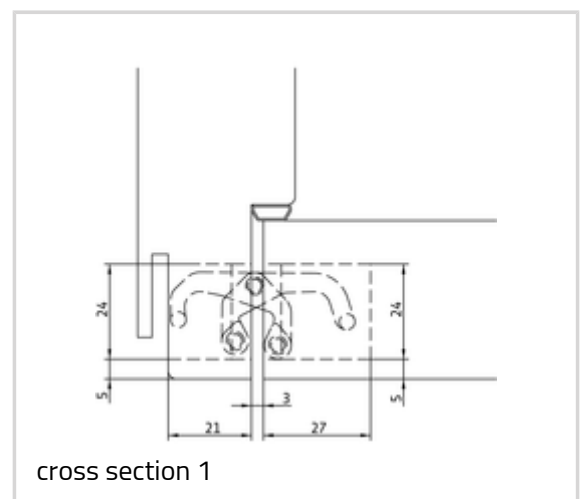
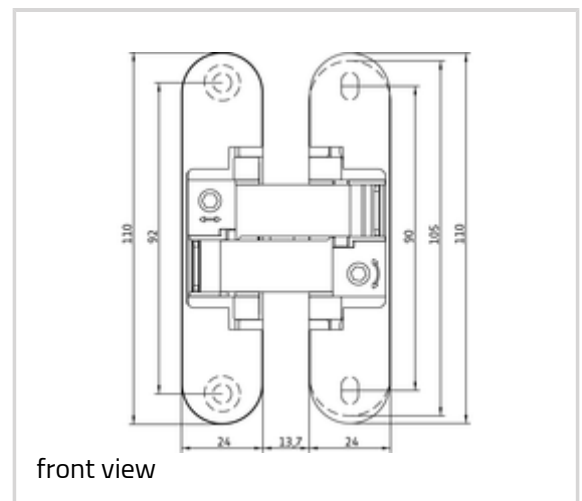


Product features

- reduced frame cup 21 mm
- completely concealed hinge system
- for timber frames
- for unrebated residential doors with aluminium frames
- 3D adjustable (side +/- 1,5 mm, height +/- 1,5 mm, compression +/- 1,0 mm)
- material zamak

Technical details

Attributes	Value
Load capacity	60,0 kg
Overall length	110,0 mm
Width (door part)	24,0 mm
Width (frame part)	24,0 mm
Cutter diameter	14,0 or 16,0 mm
Collar ring diameter	25,0 or 27,0 mm
Opening angle	180°



Note

Anselmi - AN 170 3D ALU

The load capacity mentioned above refers to the use of 2 hinges per door leaf (900 x 2100 mm).

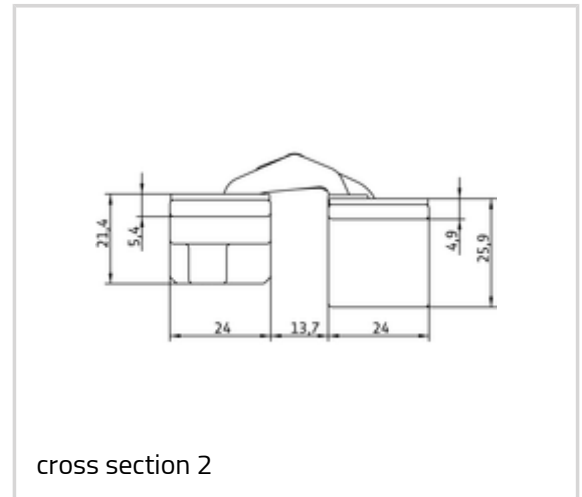
Suggested screws:

Frame side: Countersunk head screw DIN 7505 A, Diameter 4,5 mm

Door side: Countersunk head screw DIN 7505 A, Diameter 4,5 mm

Combinations

AN 140 3D FZ



Item

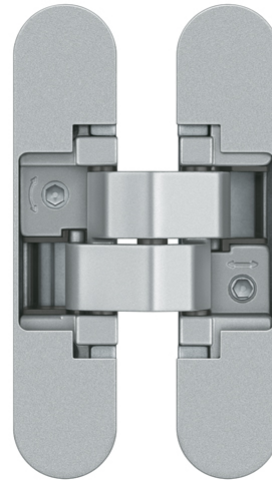
Finish(es)	AN 014-Satin Chrome
OF-NR.	014
DIN	DIN right and left hand
Finish(es)	AN 017-Coated Bronze
OF-NR.	017
DIN	DIN right and left hand
Finish(es)	AN 018-Black
OF-NR.	018
DIN	DIN right and left hand
Finish(es)	AN 036-Aluminium Chrome
OF-NR.	036
DIN	DIN right and left hand
Finish(es)	AN 037-Polished Brass
OF-NR.	037
DIN	DIN right and left hand
Finish(es)	AN 039-Polished Chrome
OF-NR.	039
DIN	DIN right and left hand
Finish(es)	AN 044-Satin Nickel
OF-NR.	044
DIN	DIN right and left hand

Anselmi - AN 170 3D ALU

Finish(es)	AN 049-RAL 9016 Traffic White
OF-NR.	049
DIN	DIN right and left hand
Finish(es)	AN 035-Antique Bronze
OF-NR.	035
DIN	DIN right and left hand

AN 170 3D

for unrebated residential doors with 21 mm reduced frame cup up to 60 kg

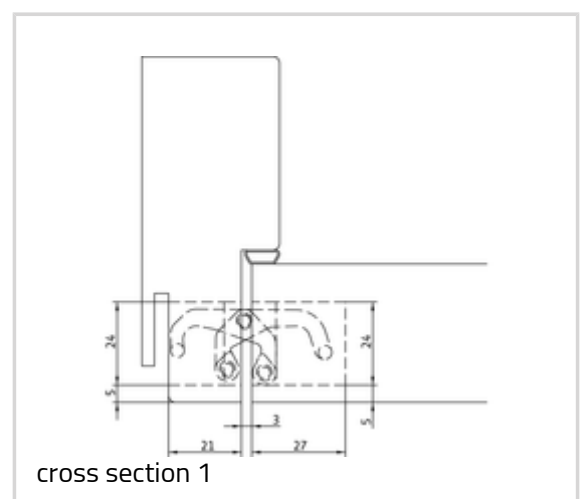
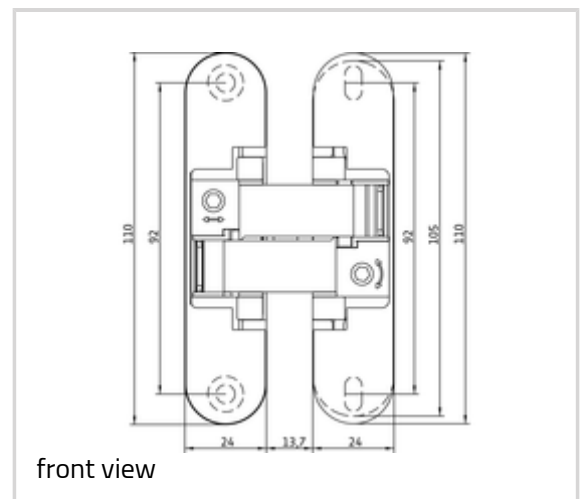


Product features

- reduced frame cup 21 mm
- completely concealed hinge system
- for timber frames
- for unrebated residential doors
- 3D adjustable (side +/- 1,5 mm, height +/- 2,5 mm, compression +/- 1,0 mm)
- material zamak

Technical details

Attributes	Value
Load capacity	60,0 kg
Overall length	110,0 mm
Width (door part)	24,0 mm
Width (frame part)	24,0 mm
Cutter diameter	14,0 or 16,0 mm
Collar ring diameter	25,0 or 27,0 mm
Opening angle	180°



Note

Anselmi - AN 170 3D

The load capacity mentioned above refers to the use of 2 hinges per door leaf (900 x 2100 mm).

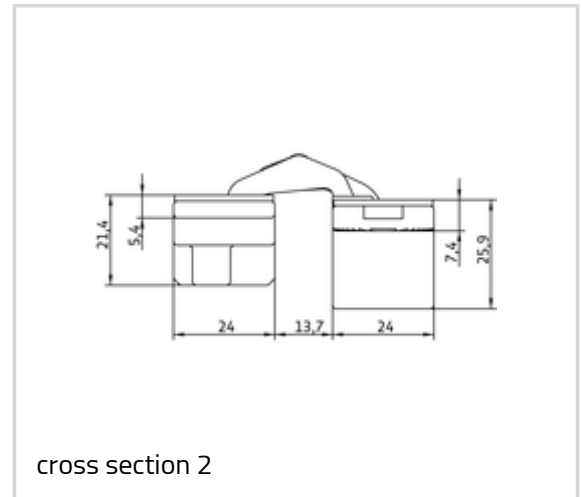
Suggested screws:

Frame side: Countersunk head screw DIN 7505 A, Diameter 4,5 mm

Door side: Pan head screw DIN 7505 B, Diameter 4,5 mm

Combinations

AN 140 3D FZ



Item

Finish(es) OF-NR. DIN	AN 014-Satin Chrome 014 DIN right and left hand
Finish(es) OF-NR. DIN	AN 017-Coated Bronze 017 DIN right and left hand
Finish(es) OF-NR. DIN	AN 018-Black 018 DIN right and left hand
Finish(es) OF-NR. DIN	AN 036-Aluminium Chrome 036 DIN right and left hand
Finish(es) OF-NR. DIN	AN 037-Polished Brass 037 DIN right and left hand
Finish(es) OF-NR. DIN	AN 039-Polished Chrome 039 DIN right and left hand
Finish(es) OF-NR. DIN	AN 044-Satin Nickel 044 DIN right and left hand
Finish(es)	AN 049-RAL 9016 Traffic

Anselmi - AN 170 3D

OF-NR.	White
DIN	049
	DIN right and left hand
Finish(es)	AN 035-Antique Bronze
OF-NR.	035
DIN	DIN right and left hand